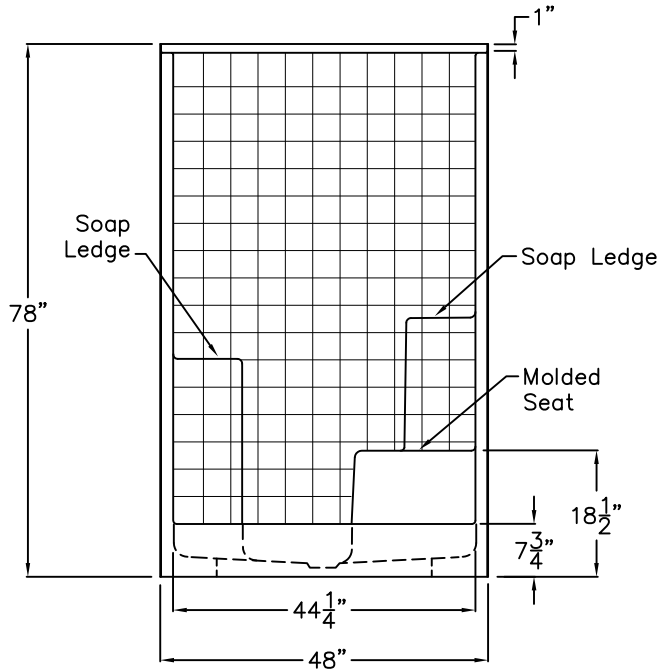


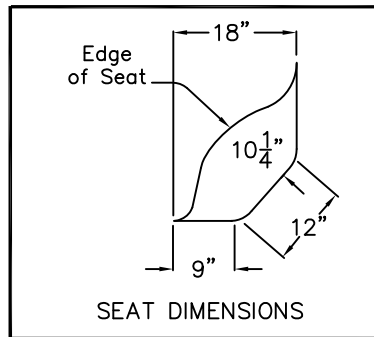
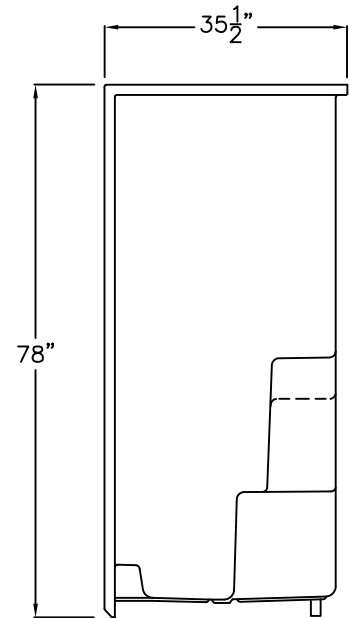
Luxury Acrylic Series

SUBMITTAL DATA

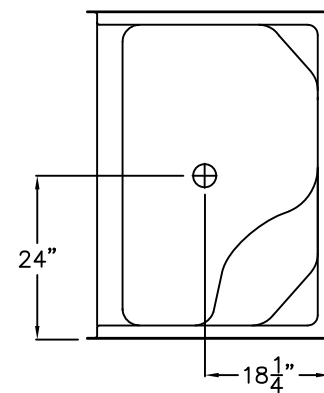
FRONT VIEW



SIDE VIEW



TOP VIEW



Simulated Tile Shower

This shower enclosure shall be Aquarius Model G 4800 SH 1S right or left. Finished surface shall be of sanitary-grade applied acrylic. The unit shall have outside dimensions of 48" x 35 1/2" x 78". The unit shall meet IAPMO Z124-2011, and CSA B45.5-11.

The enclosure shall be equipped with the following factory installed accessories:

- 1) Molded corner soap dishes,
- 2) Molded seat,
- 3) Simulated tile surface,
- 4) 7 3/4" threshold.

DUE TO THE NATURE OF THE MATERIALS
DIMENSIONS MAY VARY ± 1/2"

Job Name:	AQUARIUS	
Approved by Print Name:	Drawing#: G 4800 SH 1S Tile	
Approved by Signature:	Date:	Date: 8-1-00 Revised: 10-10-16
Rep.:	Wholesaler:	Quote No.:

PRAXIS INDUSTRIES, LLC.
435 INDUSTRIAL RD - SAVANNAH, TN 38372
1 (800) 443-7269 - FAX (731) 925-4290