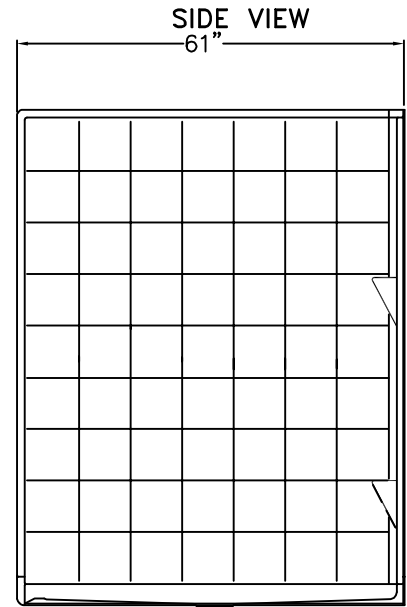
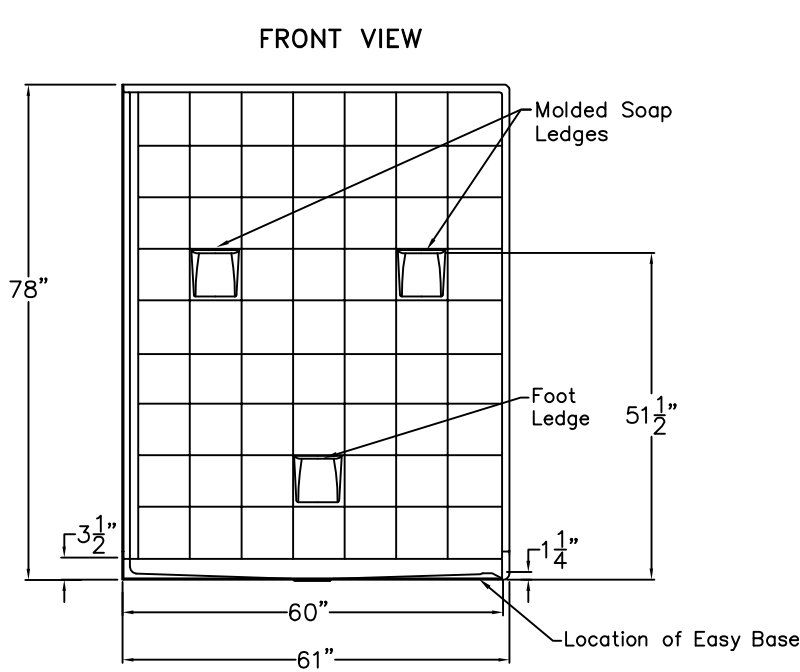
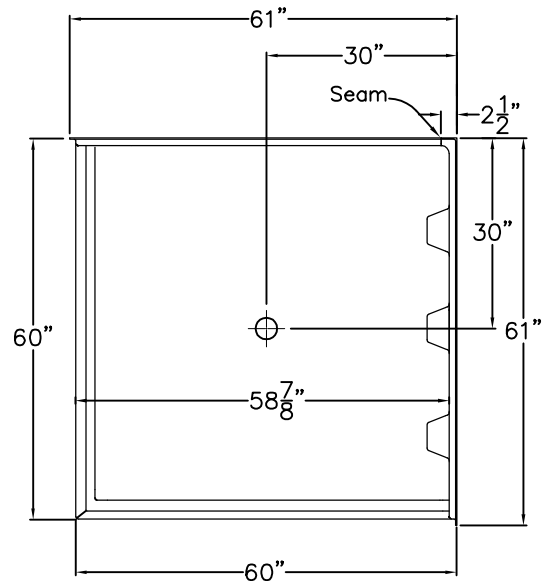


Comfort Series

SUBMITTAL DATA



TOP VIEW



DUE TO THE NATURE OF THE MATERIALS
UNIT DIMENSIONS MAY VARY ± 1/2 INCH

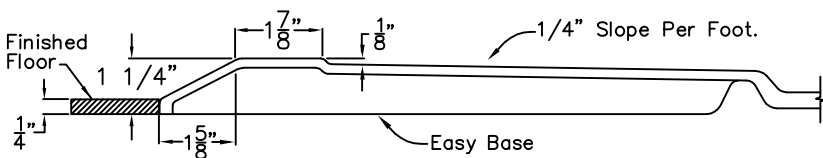
Sectional Shower

This shower enclosure shall be Aquarius Model MP 6060 BF 3P 1.25 center drain location. Finished surface shall be of sanitary-grade applied acrylic. The unit shall have outside dimensions of 61" x 61" x 78". The unit shall meet IAPMO Z124-2011, and CSA B45.5-11.

The enclosure shall be equipped with the following factory installed accessories:

- 1) Molded soap ledges,
- 2) Molded lower ledge on back wall,
- 3) Tile finish,
- 4) Three piece sectional design,
- 5) Full wood backing on all walls,
- 6) Factory installed Easy Base self sustaining bottom,
- 7) Center drain location,
- 8) 1 1/4" threshold.

CROSS SECTION OF THRESHOLD



Job Name:

AQUARIUS

Approved By Print Name:

Drawing#: MP 6060 BF 3P 1.25 FWB
Easy Base

Approved By Signature:

Date:

Date: 3-31-09

Revised: 11-14-16

Rep.:

Wholesaler:

Quote No.

PRAXIS INDUSTRIES, INC.
ROUTE 1, BOX 46D - SAVANNAH, TN 38372
1 (800) 443-7269 - FAX (901) 925-4290

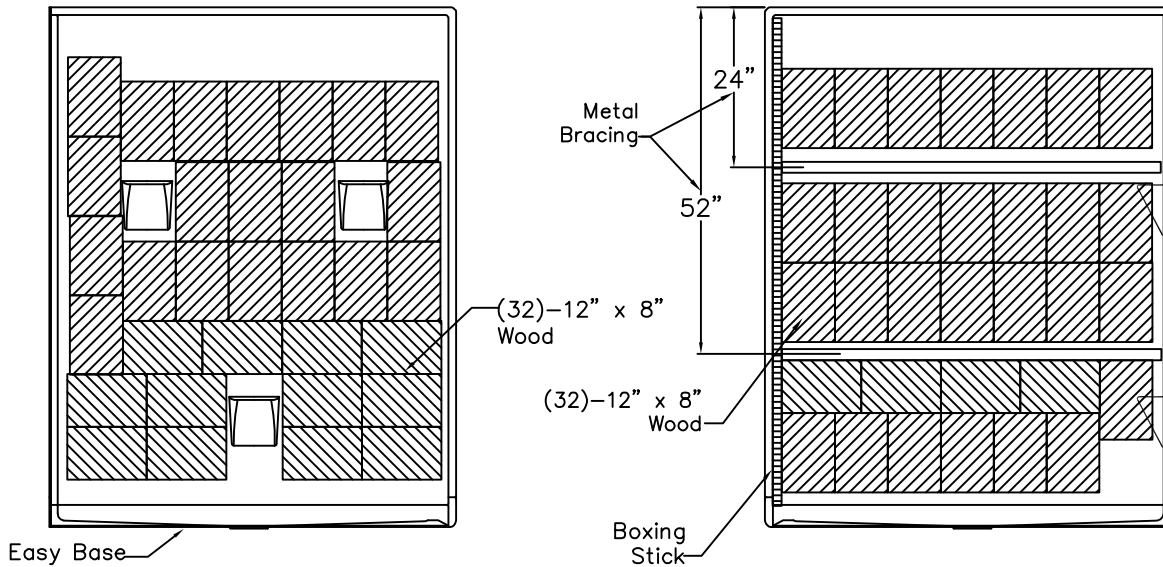
Recyclable Paper

Board Placement Drawing

SUBMITTAL DATA

WALL WITH SOAP DISHES

FLAT SEAT WALL



DUE TO THE NATURE OF THE MATERIALS INVOLVED
UNIT DIMENSIONS MAY VARY $\pm 1/2$ INCH

Job Name:	AQUARIUS
Approved by Print Name:	Drawing#: MP 6060 BF 3P 1.25 FWB Easy Base-BP
Approved by Signature:	Date: 12-21-09 Revised: 11-14-16
Rep.:	Wholesaler: Quote No.:

PRAXIS INDUSTRIES, INC.
ROUTE 1, BOX 46D - SAVANNAH, TN 38372
1 (800) 443-7269 - FAX (901) 925-4290