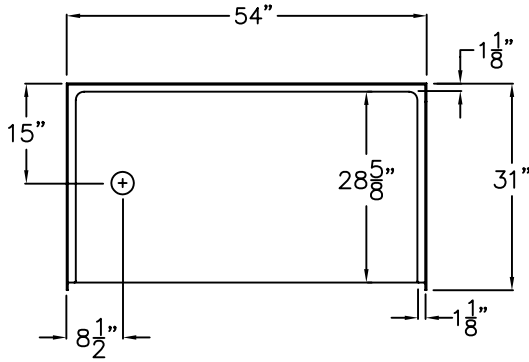


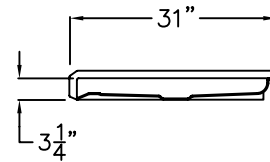
Comfort Series

SUBMITTAL DATA

TOP VIEW



SIDE VIEW



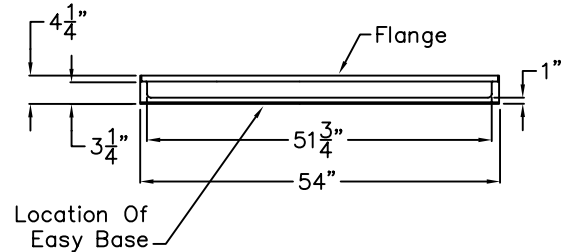
Barrier Free Shower Pan

The shower pan shall be MPB 5430 BF PAN 1.0, left or right drain. Finished surface shall be of a sanitary-grade polyester Gelcoat exhibiting a minimal thickness of 15 dry mils, and a finished cured Barcol hardness of 80-90 as tested with ASTM D-2583. Unit construction shall be of molded reinforced fiberglass with a minimum fiberglass content. The unit shall have outside dimensions of 54" x 31" x 4 1/4". The one piece pan shall meet ANSI Z124.2, NAHB, UPC, and shall meet the requirements of Southern Building Code.

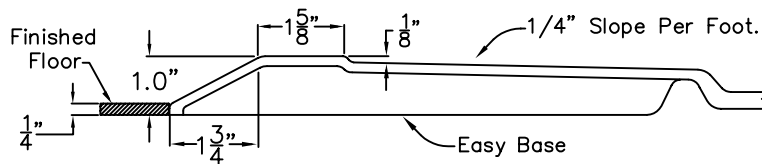
The enclosure shall be equipped with the following installed accessories:

- 1) Low entry threshold 1" threshold,
- 2) Factory installed Easy Base self sustaining bottom.

FRONT VIEW



Detail of 1.0" Threshold



DUE TO THE NATURE OF THE MATERIALS INVOLVED
UNIT DIMENSIONS MAY VARY ± 1/2 INCH

Job Name:	AQUARIUS
Model No.:	Drawing#: MPB 5430 BF 1.0 PAN
Approved by:	Date Approved:
Rep.:	Wholesaler:
	Quote No.
	Reyclable Paper

PRAXIS INDUSTRIES, INC.
ROUTE 1, BOX 46D - SAVANNAH, TN 38372
1 (800) 443-7269 - FAX (901) 925-4290