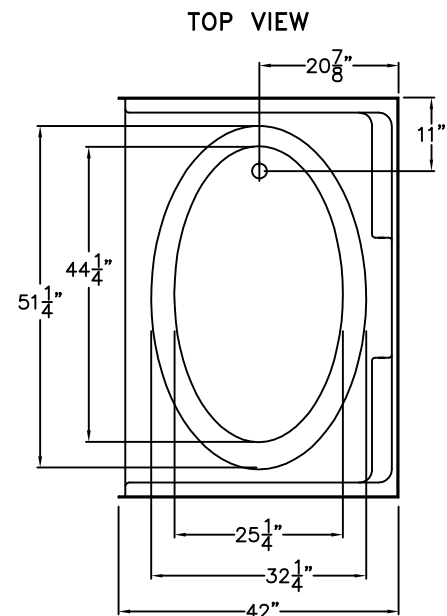
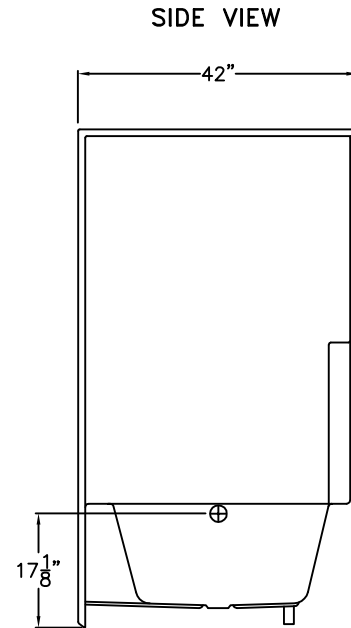
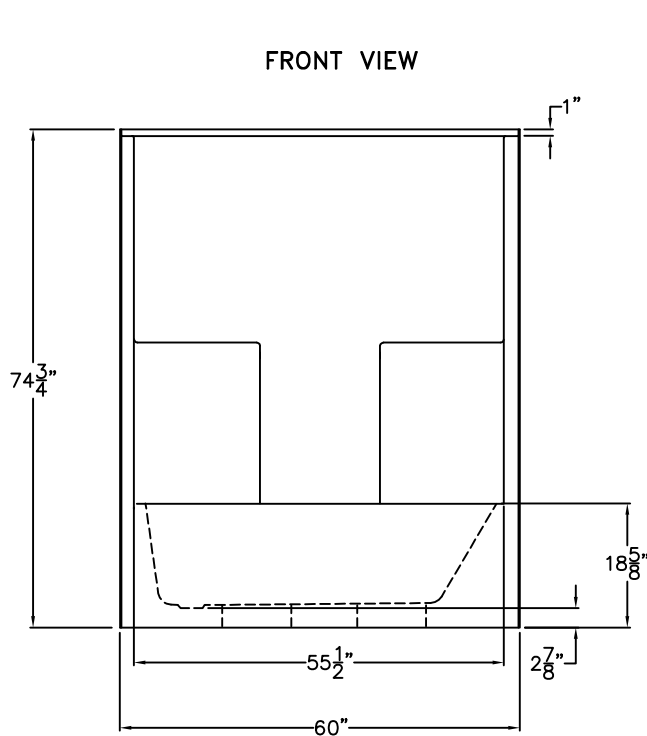


Luxury Acrylic Series

SUBMITTAL DATA



Smooth Wall Tub Shower

This shower enclosure shall be Aquarius Model G 6042 TS HS right or left. Finished surface shall be of sanitary-grade applied acrylic. The unit shall have outside dimensions of 60" x 42" x 74 3/4". The unit shall meet IAPMO Z124-2011, and CSA B45.5-11.

The enclosure shall be equipped with the following factory installed accessories:

- 1) Molded soap ledges on the back wall,
- 2) Left or right hand location
- 3) Above floor rough-in.

Optional acrylic towel bar is available.

DUE TO THE NATURE OF THE MATERIALS
DIMENSIONS MAY VARY ± 1/2"

Job Name:		AQUARIUS
Approved by Print Name:		Drawing: G 6042 TS HS L-R
Approved by Signature:	Date:	Date: 2-21-03 Revised: 10-12-16
Rep.:	Wholesaler:	Quote No.:

PRAXIS INDUSTRIES, LLC.
435 INDUSTRIAL RD - SAVANNAH, TN 38372
1 (800) 443-7269 - FAX (731) 925-4290