

**CROMWELL  
66" CAST IRON  
DOUBLE ROLL TUB**

Cat. No.  
CTDR7H66B



L: 66-1/4"  
W: 30-1/2"  
H: 24" (from floor to top of tub)

Water depth: 19-7/8" to top of tub  
Water depth: 16" to overflow

**Features:**

- ▶ Inside finish is white enamel
- ▶ Includes structured base
- ▶ Tub exterior is white (epoxy)
- ▶ Tub rim is 3" wide
- ▶ Pre-drilled overflow hole
- ▶ 7" centers in tub deck
- ▶ Tub is thoroughly inspected before shipment



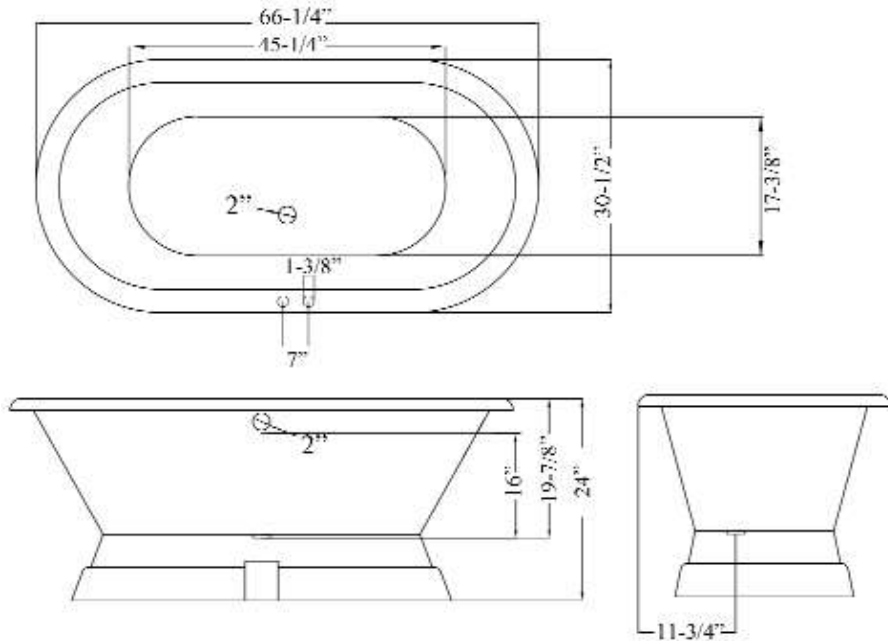
**Custom Colors Available** (inside of tub is always white enamel):  
Painted bathtubs are considered "special order" and are not returnable  
\$160 Bisque or Black \$250 Designer Color

**The following is recommended for CTDR7H66B tubs:**

- Rim-mounted faucet: part #4601 or 4201
- Straight bath supplies: part #5577
- Leg tub drain: part #5599E

**Note**

To prevent the accumulation of standing water under your tub base we recommend using a bead of silicone between the base and the floor.



Gallon Capacity: 40  
Shipping Weight: 570 lbs.  
Empty Weight: 390 lbs.  
Filled Weight: 724 lbs.