

La Vergne, TN 37086  
Fax: 800.338.9414  
Email: sales@centralbrass.com  
www.centralbrass.com

## Model# 0054-U-QI

### Two Handle Wallmount Service Sink Faucet

#### FEATURES & SPECIFICATIONS

- Canopy Handles
- 5-3/4" Rigid Spout With Pail Hook And Top Brace to Wall With Flange, Hose Thread
- 1/2-14 NPS Female Thread
- Quick-Presson Quarter-Turn Stems, Replaceable Seats, Built-in Stop:
- 2-Hole 7-7/8" to 8-1/8" Installation
- Vacuum Breaker

#### FINISHES

- PC Polished Chrome

#### STANDARDS

- ASME A112.18.1
- ANSI / NSF 61, SECTION 9
- CUPC / IAPMO LISTED
- ANSI A117.1 / ADA COMPLIANT
- CONTAINS NO MORE THAN 0.25% WEIGHTED AVERAGE LEAD CONTENT



#### WARRANTY

- Lifetime Limited Warranty
- Lifetime Residential Warranty
- 5 Year Commercial Warranty

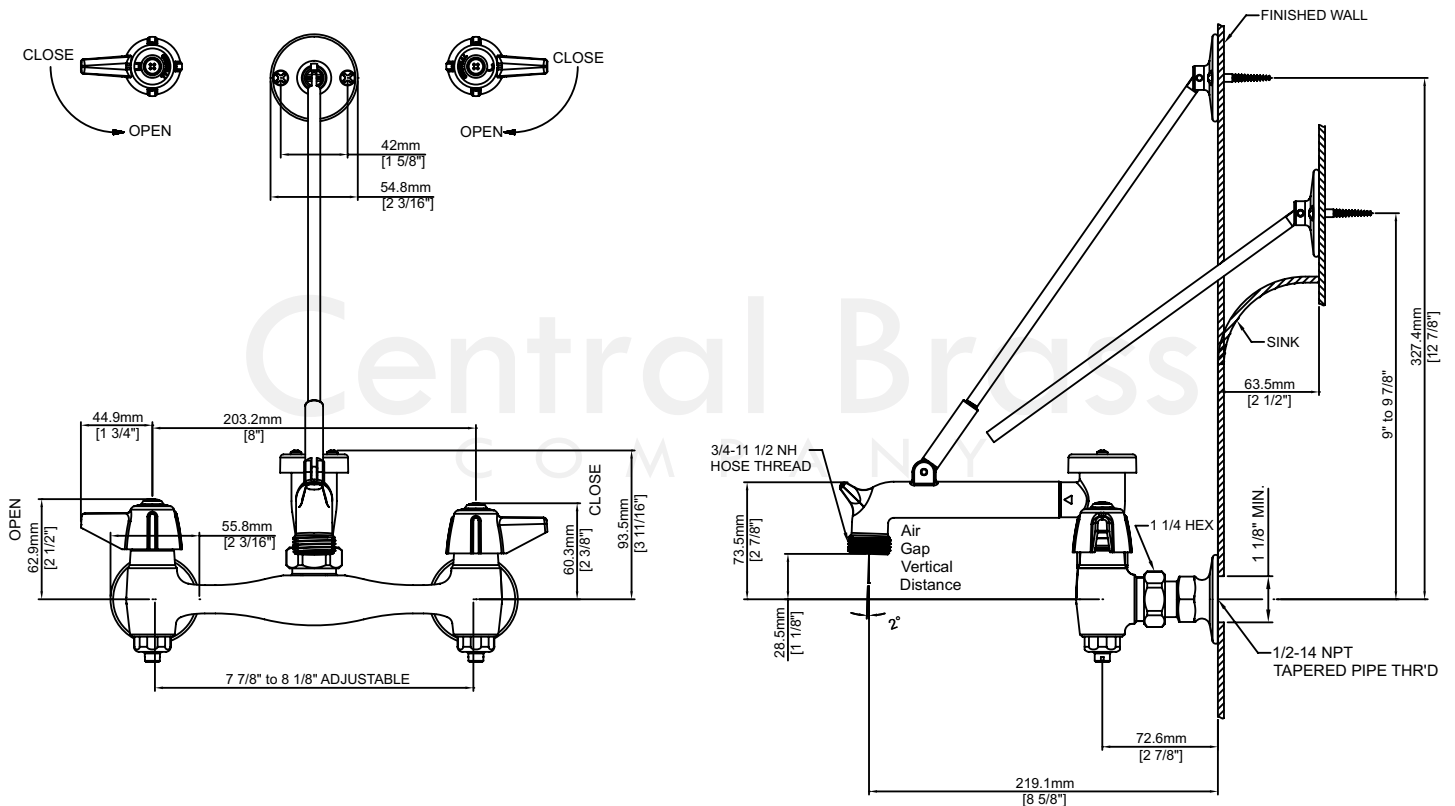
0054-U-QI/REV. 11 2016

Product Specifications subject to change without notice

Job Name \_\_\_\_\_ Date \_\_\_\_\_  
Model Specified \_\_\_\_\_ QTY \_\_\_\_\_  
Customer/Wholesaler \_\_\_\_\_  
Contractor \_\_\_\_\_  
Architect/Engineer \_\_\_\_\_  
Submitted as Shown \_\_\_\_\_  
Submitted w/ Variations \_\_\_\_\_

## Model# 0054-U-QI

### Two Handle Wallmount Service Sink Faucet



0054-U-QI/REV. 11 2016

Product Specifications subject to change without notice