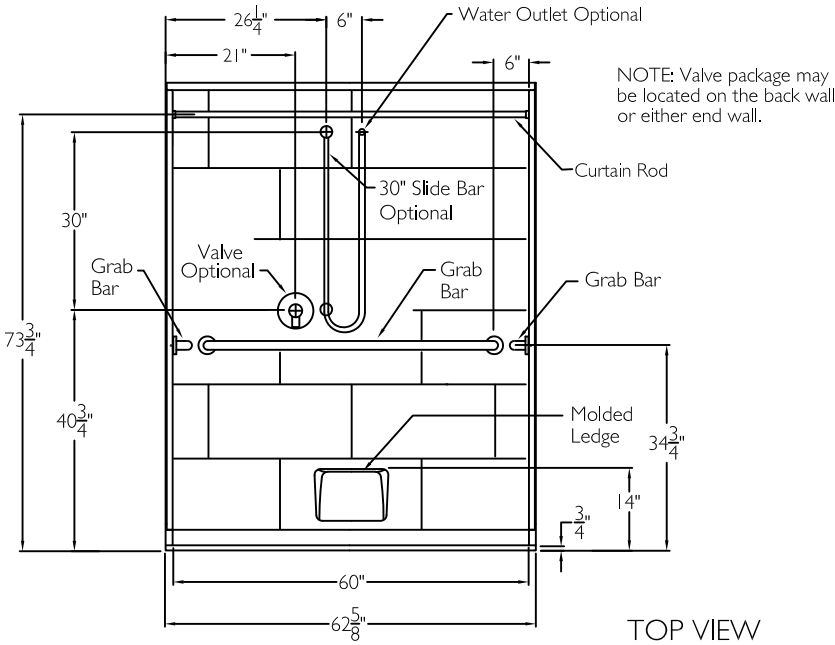
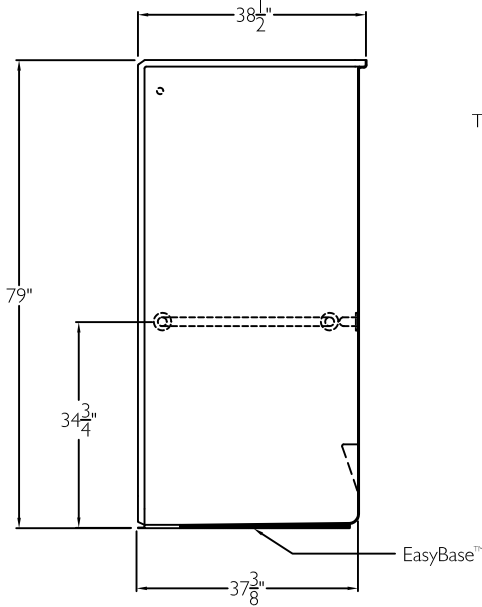


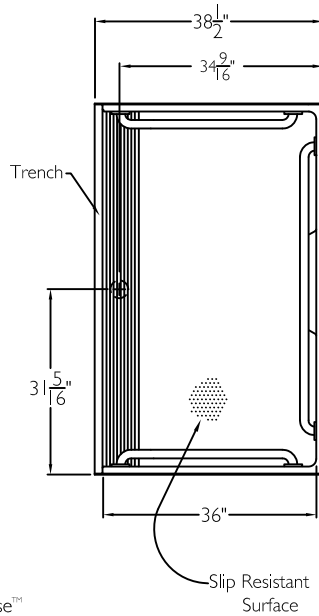
FRONT VIEW



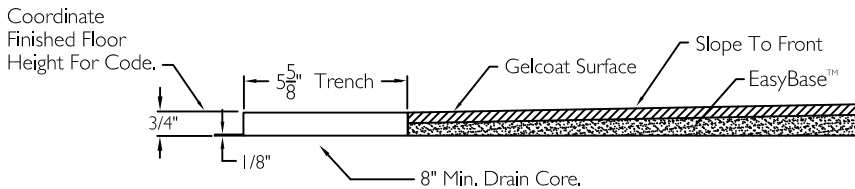
SIDE VIEW



TOP VIEW



CROSS SECTION OF THRESHOLD



SUBMITTAL

This shower enclosure shall be model XST 6238 TR .75 center. Finished surface shall be of a sanitary grade polyester gelcoat exhibiting a minimal thickness of 15 dry mils and a finished cured Barcoal hardness of 80-90 as tested with ASTM D-2583. Unit construction shall be of a molded reinforced fiberglass with a 15% minimum fiberglass content.

The unit shall have outside dimensions of 62 5/8" x 38 1/2" x 79."

The unit shall meet ANSI Z124.1-2, ANSI A117.1, ADA, HUD, BOCA, NAHB UPC, and shall meet the requirements of the Southern Building Code.

The enclosure shall be equipped with the following accessories:

- 1) one 48" x 1 1/2" diameter 18 gauge stainless steel grab bar on the back wall,
- 2) two 28" x 1 1/2" 18 gauge stainless steel grab bars, one on each side wall, both with 1 1/2" statute clearance, secured with stainless steel bolts from the rear with 3" x 3" x 11 gauge metal mounting plates,
- 3) molded leg ledge,
- 4) tile finish,
- 5) one inch diameter, 18 gauge stainless steel curtain rod with receiver cups,
- 6) tri cell backing,
- 7) EasyBase™ self sustaining bottom,
- 8) integral front trench drain,
- 9) 3/4" threshold,

OPTIONAL ACCESSORIES:

- Factory Plumbing Install Option: YES NO
- Plumbing location: End wall Center back wall
- PB Pressure Balancing Mixing Valve (ADA / ANSI)
- HH Hand held shower assembly with slide bar, vacuum breaker and 60" hose (ADA / ANSI)

THIS UNIT FEATURES THE OUTSIDE DIMENSION OF 62 5/8" OF OVERALL WIDTH. THIS DOES NOT ALLOW FOR FULL ENCLOSURE OF THE BOLTS AND NUTS USED TO SECURE THE BARS AND SEAT IN PLACE. THE BOLT AND NUT COMBINATION SHOULD NOT PROTRUDE MORE THAN 3/4" ON EITHER SIDE OF THE SHOWER WALLS. THIS MAY REQUIRE THE NEED TO NOTCH STUDS TO ALLOW BOLT CLEARANCE FOR A DRYWALL ENCLOSED FIRE WALL INSTALLATION. ADJUSTMENT OF THE WALL BOARD MAY BE NECESSARY TO PROVIDE CLEARANCE OF THE BOLT(S) WHILE MAINTAINING THE INTEGRITY OF THE DRYWALL ENCLOSED FIRE WALL ENCLOSURE.

NOTE: THIS UNIT WILL NOT ACCEPT A DOOR.

Job Name	Approved By	Name	Date	COMFORT DESIGNS	
Project No	Architect			Model No. XST 6238 TR .75 U-Bar-I	
Comfort Designs 435 Industrial Road Savannah, TN 38372 tel 800.443.7269 fax 731.925.4290 www.comfortdesignsbathware.com	Engineer			Drawing No. SST 6238TR .75 HBW HSW(2) CR VP EB	
	Rep			Date Issued. 3-16-12	Drawing Rev.
	Wholesaler			Material. Gelcoat	
	Comments			Color.	
				Dimensions are in inches. Due to the nature of the materials dimensions may vary ± 1/2"	