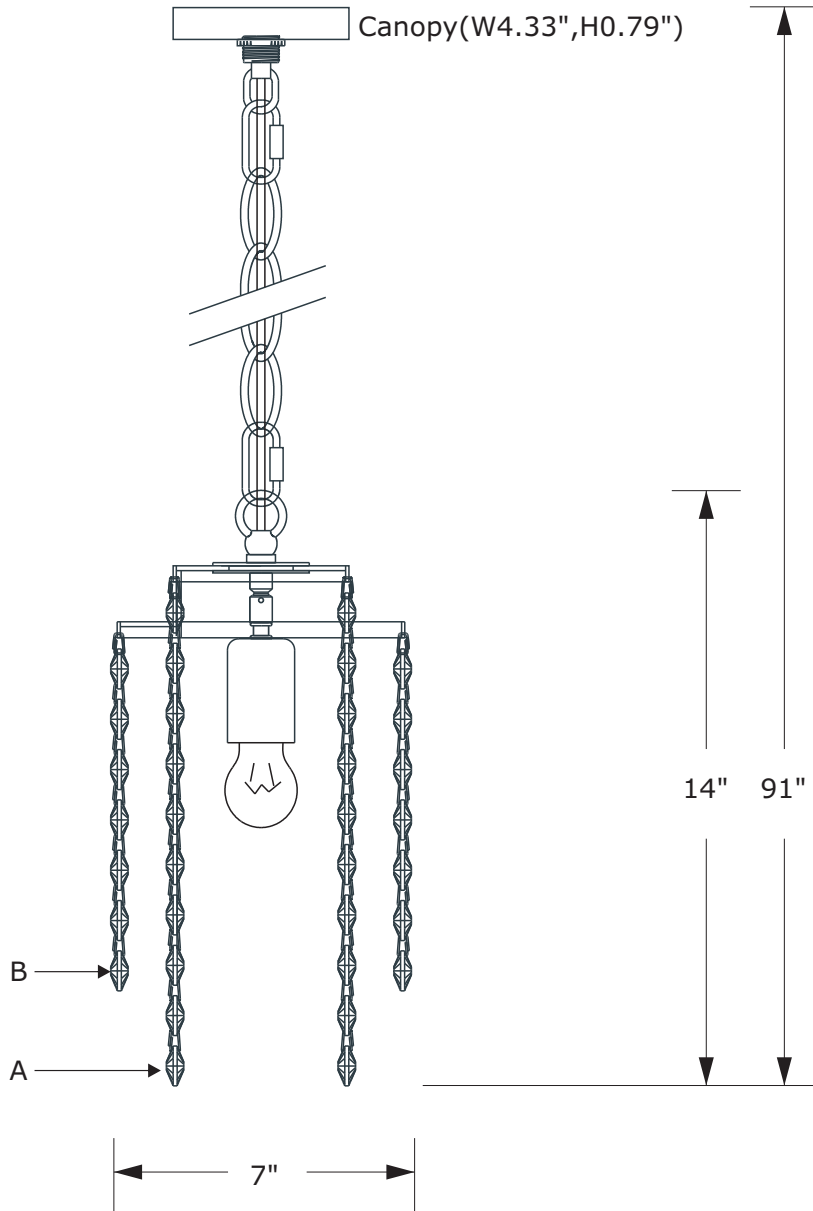


CRYSTORAMA

LIGHTING THE WAY FOR SIXTY YEARS

ASSEMBLY INSTRUCTION MODEL #GAB-B7301-MK



All electrical components must be installed by a licensed electrician in accordance with the National Electric Code and the appropriate local electrical codes.



You will need 1-Medium Base Bulb
60 Watts Recommended 100 Watts Max.

USE LED BULBS FOR EXTENDED USE

This fixture is DAMP rated

How to Install

1. Do a complete inventory of all parts and components before you start installation.
2. Install the bulb(not included).
3. Dress the fixture with crystal as illustrated.

Bead Sets

A. 12 Sets.
(9)25mm 2 holes + (1)25mm 1 hole

B. 20 Sets.
(6)25mm 2 holes + (1)25mm 1 hole

WARNING: This product can expose you to Lead, which is known to the State of California to cause cancer and/or birth defects or reproductive harm. For more information go to www.P65Warnings.ca.gov.

CRYSTORAMA

LIGHTING THE WAY FOR SIXTY YEARS

PART NUMBER MODEL #GAB-B7301-MK

Part Number

- A. (1) - Mounting Hardware
- B. (1) - Canopy(W4.33",H0.79") #XRE7301MKCAN4.33IN
- C. (1) - Collar Ring
- D. (1) - Collar Loop
- E. (2) - Quick Link
- F. (1) - Hanging Chain(72", 3.2mm) #XRE7301MKCHA3.2MM
- G. (1) - Fixture Loop

