

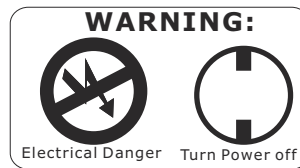
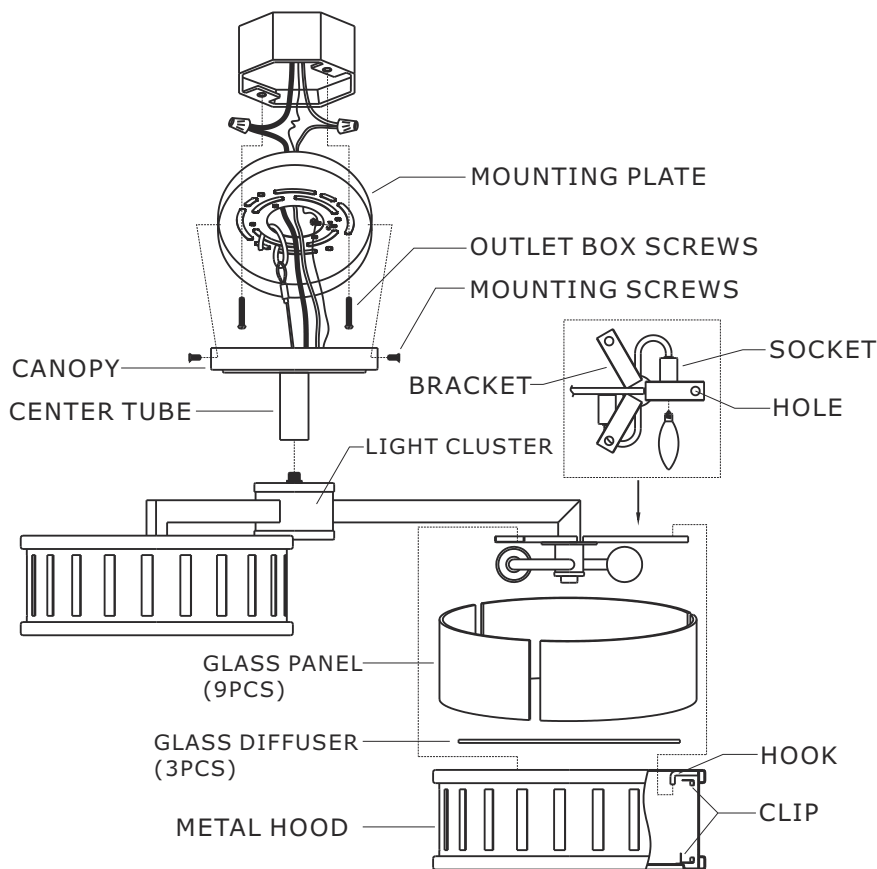
CRYSTORAMA

LIGHTING THE WAY FOR SIXTY YEARS



Crystorama.com

ASSEMBLY INSTRUCTION MODEL#KEN-8300-VG-BF



All electrical components must be installed by a licensed electrician in accordance with the National Electric Code and the appropriate local electrical codes.



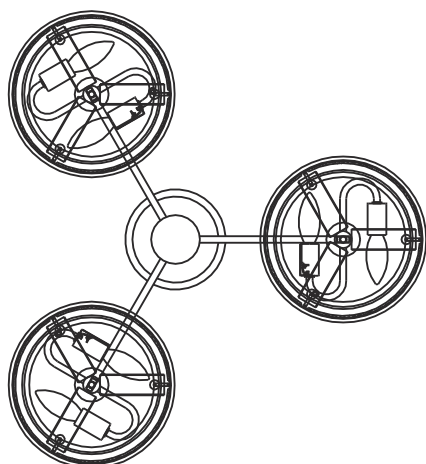
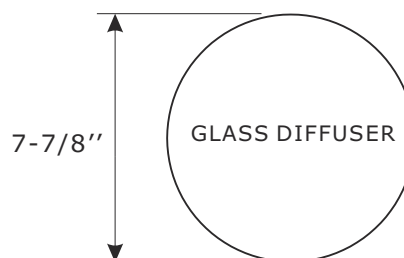
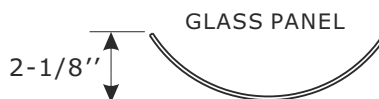
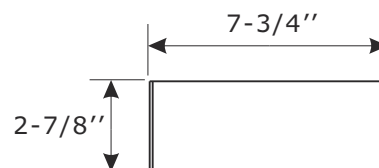
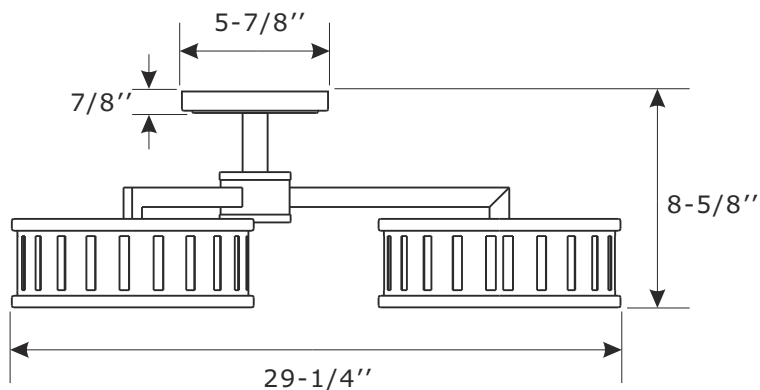
You will need 6- Candelabra Base Bulb
40 Watts Frosted bulb Recommended
60 Watts Max.
USE LED BULBS FOR EXTENDED USE
This fixture is Damp rated

How to install

1. Slip the center tube assembly along wire and thread onto the nipple located on the top of the light cluster.
2. Slide the glass diffuser onto the bottom of metal frame and secure it with clips.
3. Slide the glass panels inside the metal frame and secure it with clips.
4. Install the mounting plate to outlet box using two outlet box screws.
5. Install canopy onto the mounting plate, and secure with the screws.
6. Install the bulb(not included) into the socket.
7. Hang the metal hood over the bracket by inserting the hook into the hole of bracket. Please make sure the metal hood is safely secured.

How to change the bulb:

Raise the metal hood up over the bracket and turn it sideways to take it down. Install the new bulb and put the metal hood back.



WARNING: This product can expose you to Lead which is known to the state of California to cause cancer and/or birth defects or reproductive harm. For more information go to www.P65Warnings.ca.gov



ASSEMBLY INSTRUCTION MODEL#KEN-8300-VG-BF

Part Number

Part Numbers

- A. (1)-Mounting hardware
- B. (1)-Mounting plate
- C. (2)-Mounting screw
- D. (1)-Canopy W5-7/8"xH7/8" #XRF8300VGBFCAN5.875IN
- E. (1)-Center tube D1"xL2-3/8" #XRF8300VGBFSTEN2.375IN
- F. (9)-Glass panel #XRF8300GLA2.125IN
- G. (3)-Glass diffuser #XRF8300DIFF7.875IN
- H. (3)-Metal hood
- I. (6)-Socket

