

LIVING DISTRICT

Collection:Maddox

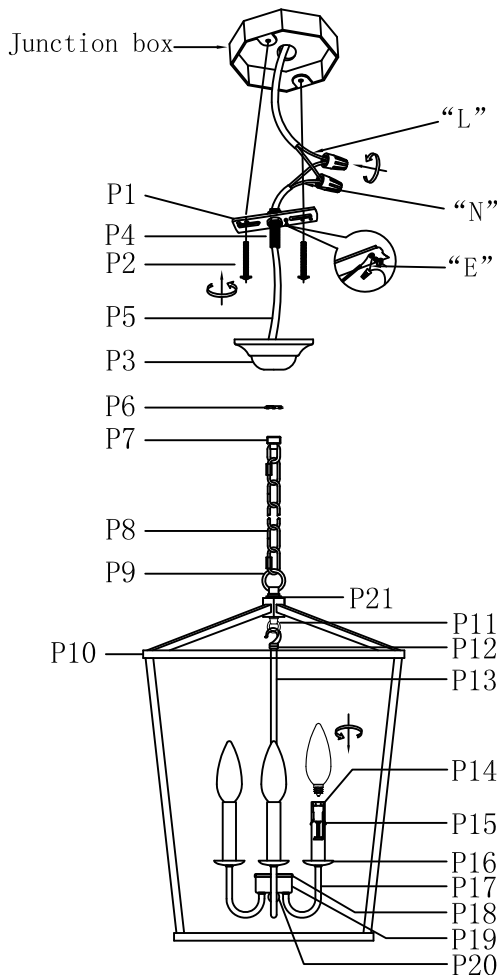
Installation manual for:

LD6008D17 L17"W17"H24.25" L4

Installation instructions:

1. Black wire from ceiling(junction box) attaches to "L"wire from the fixture.
2. White wire from ceiling(junction box) attaches to "N"wire from the fixture.
3. "E" wire from the fixture is attached to the mounting bracket and an additional "E" wire from the mounting bracket must be secured to the junction box.
4. Secure mounting bracket to the junction box.
5. Insert screws (P2) in side of top unit the mounting bracket.
6. Hang the inside frame to the hold of the outside frame.
7. Put the canopy(P3) on the nipple(P4) and connect the canopy lock(P7),then use the canopy ring(P6) to screw tighten.
8. Hang the lamp body to the chain(P8) and connect the canopy lock(P7).
9. Install E12 light source.

The end!



"L" = Hot wire
 "N" = Neutral wire
 "E" = Ground wire

PARTS LIST

part	picture	Description	Qty	Check list
P1		L4" Mounting bracket	1	
P2		5/32-32 Screw	2	
P3		D5.1" Canopy plat	1	
P4		Nipple	1	
P5		Power Cord 8.69', 18AWG, SPT-1 Clear/Gold/Black	1	
P6		Canopy ring	1	
P7		Canopy lock	1	
P8		L5' CHAIN04P Plain Design	1	
P9		D1.5" Loop	1	
P10		W17"*L22.2" Main lamp holder	1	
P11		Loop	1	
P12		Hook	1	
P13		L15.63" Both end threaded pipe	1	
P14		D0.87"*L2.56" Candle cover	4	
P15		E12 Socket	4	
P16		D2" Lamp holder	4	
P17		L2.58" Arm	4	
P18		D2.48" Wire Box	1	
P19		D2.36" Metal Wire Box	1	
P20		Cap nut	1	
P21		Washer	1	