

MODEL NO:
VF42040WB
VF42040CG
VF42040WH

ELEGANT
FURNITURE & LIGHTING™

500-550 E. Erie Avenue
Philadelphia PA 19134
1-888-388-3390

PROJECT:

SPEC NO:

MODEL NO:VF42040

QUANTITY:

DRAWING APPROVAL STATUS

- APPROVED
- APPROVED AS NOTED
- NOT APPROVED, REVISE AS NOTED

AUTHORIZED SIGNATURE

DATE:

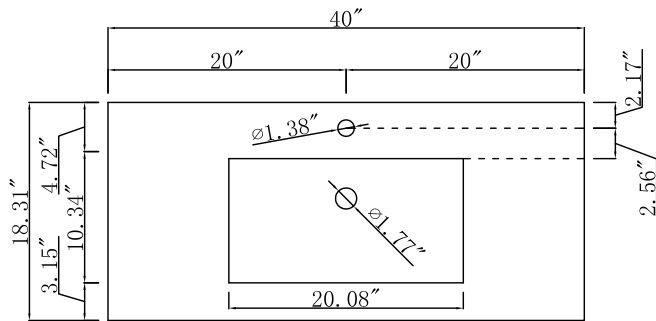
FOR PROPOSAL ONLY. ALL DIMENSIONS TO BE VERIFIED

Drawing Date:2019-5-7

REVISIONS

| | |
|----|--|
| △1 | |
| △2 | |
| △3 | |
| △4 | |
| △5 | |

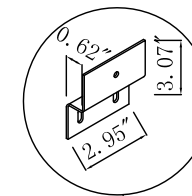
DWG. NO.



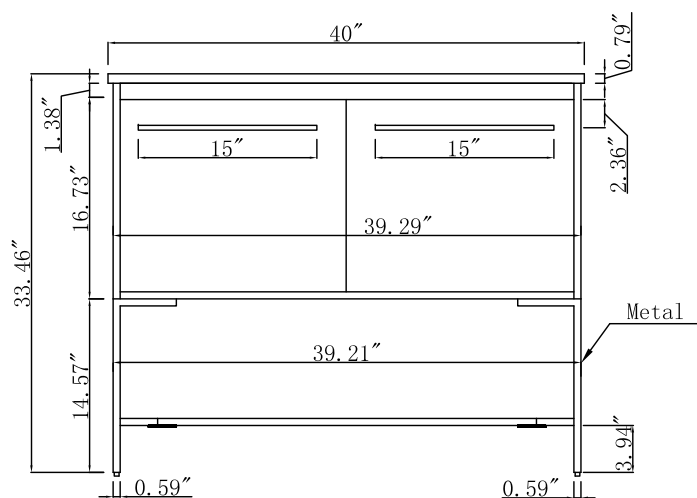
Top view



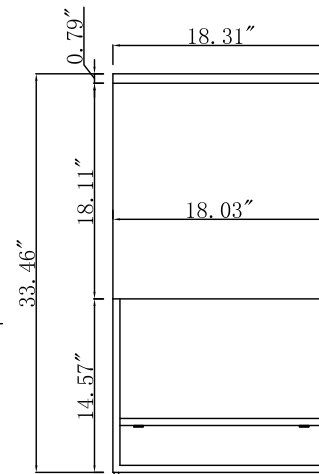
Length:15"



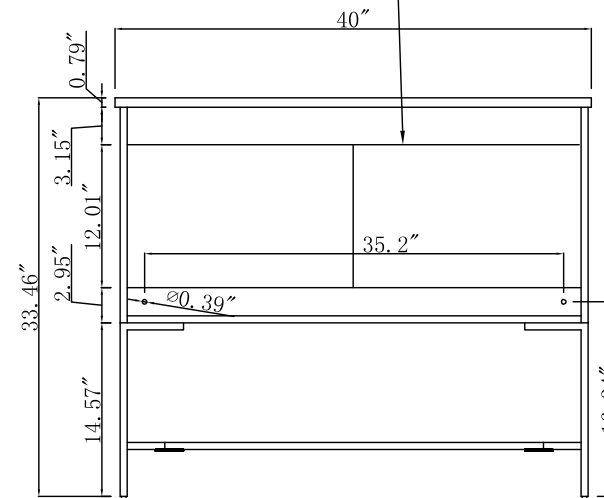
Metal bracket



Front view



Side view



Back view

| | | | | | | | | | |
|----------------------------|--------------|-----------------------------|--------------|-----------------------------|--------------|-------------------------------------------------|--------|--------------------------------|--------------|
| Model # | VF42040CG | "Number of Doors " | 2 | "Table: seating capacity" | 1 | "drawer glide extension" | N/A | "cabinet interior width" | 38.11" |
| Finish | Concete Grey | "Finished Back " | NO | "upholstery color" | N/A | "drawer glide material" | N/A | "cabinet interior depth" | 16.85" |
| "Hand Painted" | NO | "Hardware finish " | Black | "upholstery pattern" | N/A | "drawer dividers" | N/A | "leg height" | 14.57" |
| "Mirror type" | N/A | "Assembly " | YES | "cushion material" | N/A | "Drawer Interior finish" | N/A | "leg width" | 35.28" |
| "Beveled glass" | N/A | "Product Width " | 40" | "base finish" | Concete Grey | "Ball Bearing Glides" | N/A | "leg depth" | 17.83" |
| "Frame material " | MDF | "Product Depth" | 18.31" | "powder coated finish" | YES | "soft close drawer glides" | N/A | "gloss finish" | NO |
| "Solid wood construction " | N/A | "Product Height" | 33.46" | "base material" | MDF | "Number of cabinets" | 1 | "stackable" | NO |
| "Drawers Included " | NO | "Package LENGTH" | 44.1" | "top material" | Porcelain | "shelf height" | 3.94" | "leg design" | Bracket legs |
| "Number of Drawers" | N/A | "Packaged WIDTH" | 25.6" | "wood species" | MDF | "shelf width" | 31.69" | "Armoires: ring slots" | N/A |
| "Joinery Type " | N/A | "Packaged HEIGHT" | 25.2" | "tip over restraint strap " | N/A | "shelf depth" | 17.83" | "Armoires: hooks" | N/A |
| "Drawer railing " | N/A | "Package Weight(lbs) " | 106 | "shape of top" | Rectangle | "Shelf thickness" | 0.59" | "armoires: mirror dimensions " | N/A |
| "Drawer Width" | N/A | "Product Weight(lbs)" | 93 | "lift top" | NO | "Any certification?" (CARB/TSCA VI) | YES | "door thickness" | 0.59" |
| "Drawer Depth " | N/A | "Shipping Type" | Small Parcel | "shelf material" | MDF | "California Proposition 65 warning required" | YES | "false drawers?" | N/A |
| "Drawer Height " | N/A | "table top width" | 18.31" | "adjustable shelves" | NO | "Drawers Interior Height" | N/A | "sink type " | Porcelain |
| "Shelves " | YES | "table top finish" | White | "Drawer Handle designs" | Bar Pulls | "Drawer Interior Width" | N/A | "# of faucet holes " | 1 |
| "Number of Shelves " | 1 | "glass top tempered" | NO | "saftey stop" | YES | "Drawer Interior Depth" | N/A | | |
| "Doors included " | YES | "table top maximum weight " | 66 LBS | "felt lined drawers" | N/A | "cabinet interior height" | 17.52 | | |

DWG. NO.:

MODEL NO.:

ALTERATIONS

1

2

3

4

FOR PROPOSAL ONLY ALL DIMENSIONS TO BE VERIFIED

SCALE:

DWG. BY:

CHECKED BY:

DATE:

PROJECT:

Qty:

Color:

DRAWING TITLE:

FINISH:

Elegant



Decor

ELEGANT LIGHTING