

### Door Thickness Specifications

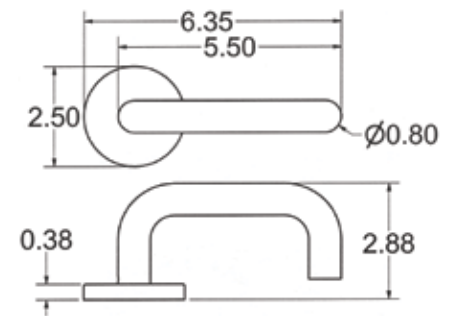
- Standard Door Thickness: 1<sup>3</sup>/<sub>8</sub>"- 2"
- Standard Components:
  - Privacy Pin (for privacy sets)
  - Inside Passage Half Spindle
  - 1<sup>1</sup>/<sub>2</sub>" Socket Head Machine Screws
  - Full-Lip Strike Plate

- **Extended** Door Thickness: 2"- 2<sup>1</sup>/<sub>2</sub>"
- Extended Components:
  - Privacy Pin w/ Extension (for privacy sets)
  - Long Inside Passage Half Spindle
  - 2" Socket Head Machine Screws
  - Extended Full-Lip Strike Plate

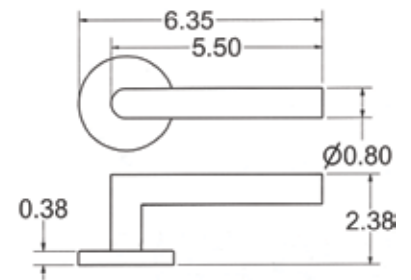
- **Extended** Door Thickness: 2<sup>1</sup>/<sub>2</sub>"- 2<sup>3</sup>/<sub>4</sub>"
- Extended Components:
  - Privacy Pin w/ Extension (for privacy sets)
  - Long Inside Passage Half Spindle
  - 2<sup>1</sup>/<sub>2</sub>" Socket Head Machine Screws
  - Extended Full-Lip Strike Plate



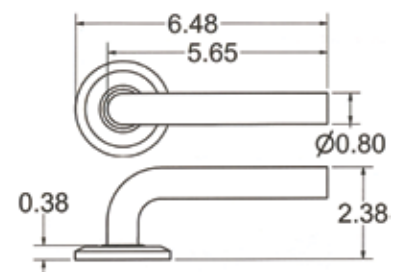
Cologne (CO)



Stuttgart (ST)



Kiel (KL)



Door Thickness Specifications

• Standard Door Thickness: 1<sup>3</sup>/<sub>8</sub>"- 2"  
Standard Components:

- Privacy Pin (for privacy sets)
- Inside Passage Half Spindle
- 1<sup>1</sup>/<sub>2</sub>" Socket Head Machine Screws
- Full-Lip Strike Plate

• **Extended** Door Thickness: 2"- 2<sup>1</sup>/<sub>2</sub>"  
Extended Components:

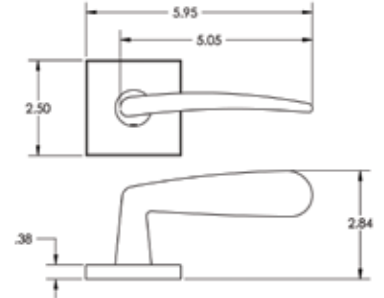
- Privacy Pin w/ Extension (for privacy sets)
- Long Inside Passage Half Spindle
- 2" Socket Head Machine Screws
- Extended Full-Lip Strike Plate

• **Extended** Door Thickness: 2<sup>1</sup>/<sub>2</sub>"- 2<sup>3</sup>/<sub>4</sub>"  
Extended Components:

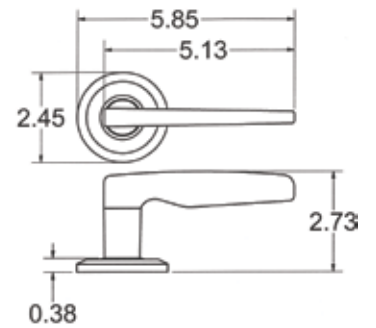
- Privacy Pin w/ Extension (for privacy sets)
- Long Inside Passage Half Spindle
- 2<sup>1</sup>/<sub>2</sub>" Socket Head Machine Screws
- Extended Full-Lip Strike Plate



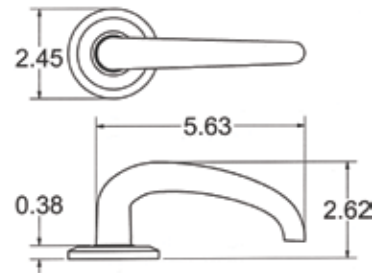
Poseidon (PO)



Hermes (HE)



Achilles (AC)



### Door Thickness Specifications

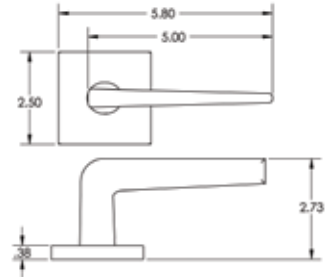
- Standard Door Thickness: 1<sup>3</sup>/<sub>8</sub>"- 2"
- Standard Components:
  - Privacy Pin (for privacy sets)
  - Inside Passage Half Spindle
  - 1<sup>1</sup>/<sub>2</sub>" Socket Head Machine Screws
  - Full-Lip Strike Plate

- **Extended** Door Thickness: 2"- 2<sup>1</sup>/<sub>2</sub>"
- Extended Components:
  - Privacy Pin w/ Extension (for privacy sets)
  - Long Inside Passage Half Spindle
  - 2" Socket Head Machine Screws
  - Extended Full-Lip Strike Plate

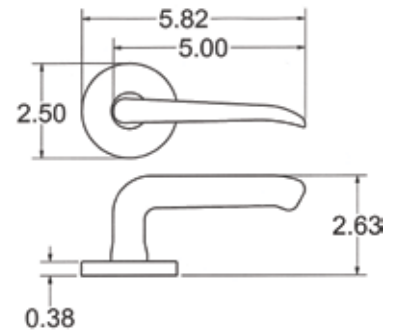
- **Extended** Door Thickness: 2<sup>1</sup>/<sub>2</sub>"- 2<sup>3</sup>/<sub>4</sub>"
- Extended Components:
  - Privacy Pin w/ Extension (for privacy sets)
  - Long Inside Passage Half Spindle
  - 2<sup>1</sup>/<sub>2</sub>" Socket Head Machine Screws
  - Extended Full-Lip Strike Plate



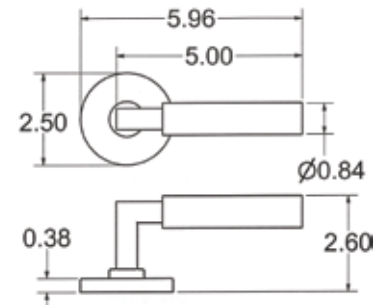
Athena (AT)



Ajax (AJ)



Hercules (HS)

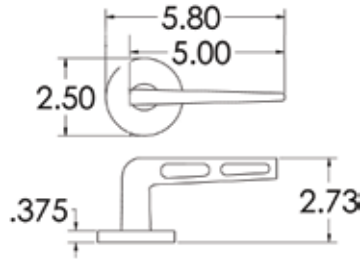


### Door Thickness Specifications

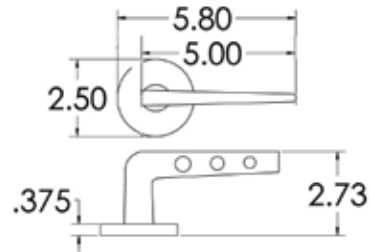
- Standard Door Thickness: 1<sup>3</sup>/<sub>8</sub>" - 2"
- Standard Components:
  - Privacy Pin (for privacy sets)
  - Inside Passage Half Spindle
  - 1<sup>1</sup>/<sub>2</sub>" Socket Head Machine Screws
  - Full-Lip Strike Plate

- **Extended** Door Thickness: 2" - 2<sup>1</sup>/<sub>2</sub>"
- Extended Components:
  - Privacy Pin w/ Extension (for privacy sets)
  - Long Inside Passage Half Spindle
  - 2" Socket Head Machine Screws
  - Extended Full-Lip Strike Plate

- **Extended** Door Thickness: 2<sup>1</sup>/<sub>2</sub>" - 2<sup>3</sup>/<sub>4</sub>"
- Extended Components:
  - Privacy Pin w/ Extension (for privacy sets)
  - Long Inside Passage Half Spindle
  - 2<sup>1</sup>/<sub>2</sub>" Socket Head Machine Screws
  - Extended Full-Lip Strike Plate

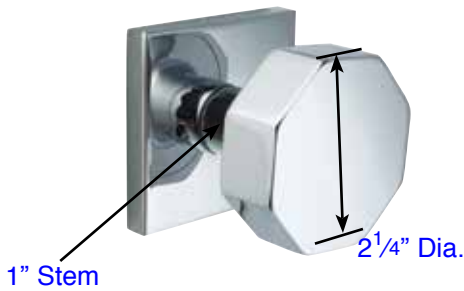


Comet (CT)



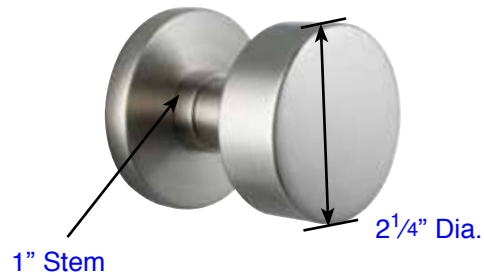
Meteor (MT)

2<sup>1</sup>/<sub>2</sub>" Projection



Octagon Knob (OK)

2<sup>11</sup>/<sub>16</sub>" Projection



Round Knob (RK)

Door Thickness Specifications

- Standard Door Thickness: 1<sup>3</sup>/<sub>8</sub>"- 2"
- Standard Components:
  - Privacy Pin (for privacy sets)
  - Inside Passage Half Spindle
  - 1<sup>1</sup>/<sub>2</sub>" Socket Head Machine Screws
  - Full-Lip Strike Plate

- **Extended** Door Thickness: 2"- 2<sup>1</sup>/<sub>2</sub>"
- Extended Components:
  - Privacy Pin w/ Extension (for privacy sets)
  - Long Inside Passage Half Spindle
  - 2" Socket Head Machine Screws
  - Extended Full-Lip Strike Plate

- **Extended** Door Thickness: 2<sup>1</sup>/<sub>2</sub>"- 2<sup>3</sup>/<sub>4</sub>"
- Extended Components:
  - Privacy Pin w/ Extension (for privacy sets)
  - Long Inside Passage Half Spindle
  - 2<sup>1</sup>/<sub>2</sub>" Socket Head Machine Screws
  - Extended Full-Lip Strike Plate

### Functions:

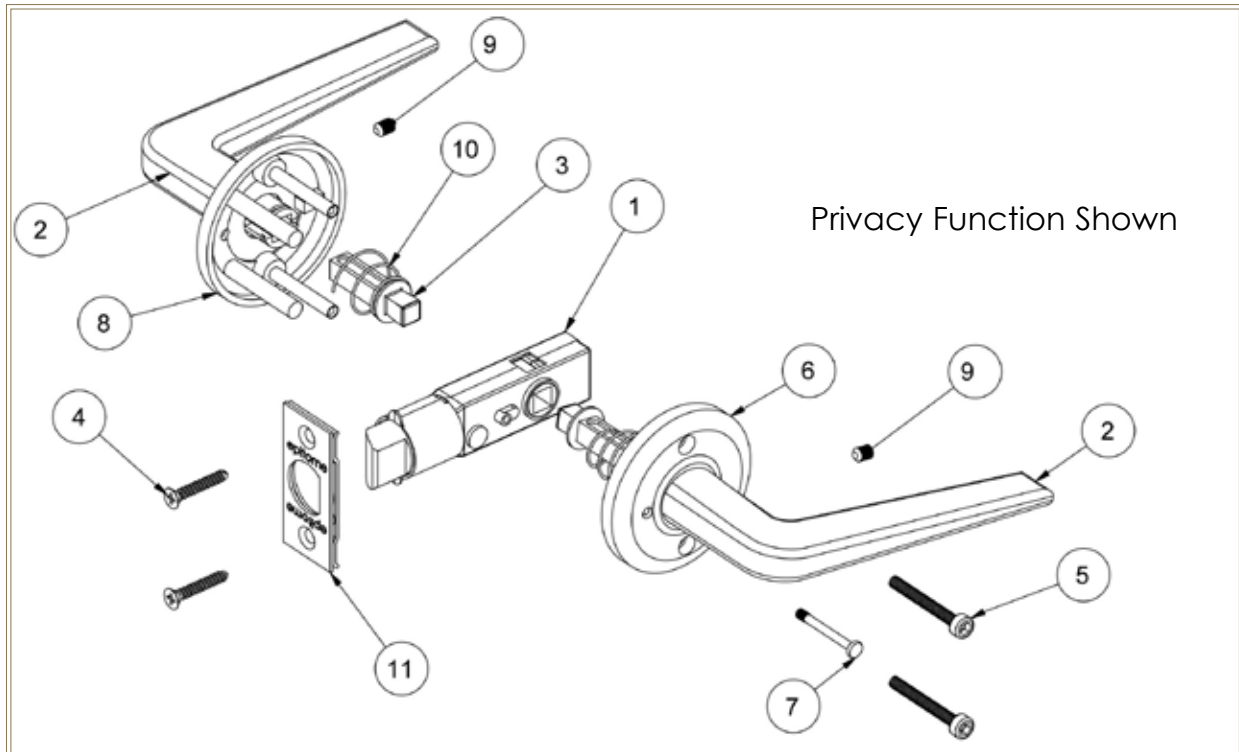
Passage: Lever operates from either side of door.

Privacy: Push button on the interior engages privacy. Turning the inside lever releases privacy and retracts latchbolt.

Dummy Pair: Surface mounted on threaded spindle. Requires no door prep.

### Door Prep Specifications:

- Fits standard door prep--2<sup>1</sup>/<sub>8</sub>" face bore & 1" edge bore.
- Fits a range of door thickness from 1<sup>3</sup>/<sub>8</sub>" to 2". Thicker doors--please specify.



### Latches:

- 28° retraction
- 7MM hub
- Split spindles
- 2<sup>3</sup>/<sub>8</sub>" backset standard
- 2<sup>3</sup>/<sub>4</sub>" backset available--please specify
- Stainless steel nosebolt

### Strike & Face Plates:

- Strike Plate--1<sup>1</sup>/<sub>2</sub>"W x 2<sup>1</sup>/<sub>4</sub>"H
- Face Plate--1"W x 2<sup>1</sup>/<sub>4</sub>"H
- Full Lip strike is standard
- "T" strike optional--please specify
- Strike & faceplates are square cornered

### Legend

- 1) Latch (Passage/Privacy)
- 2) Lever Handles
- 3) Spindles
- 4) Face Plate Wood Screws
- 5) Socket Hex Head Machine Screws
- 6) Inside Rosette
- 7) Privacy Pin (for Privacy Sets)
- 8) Outside Rosette
- 9) Set Screws
- 10) Spindle Spring
- 11) Latch Face Plate