

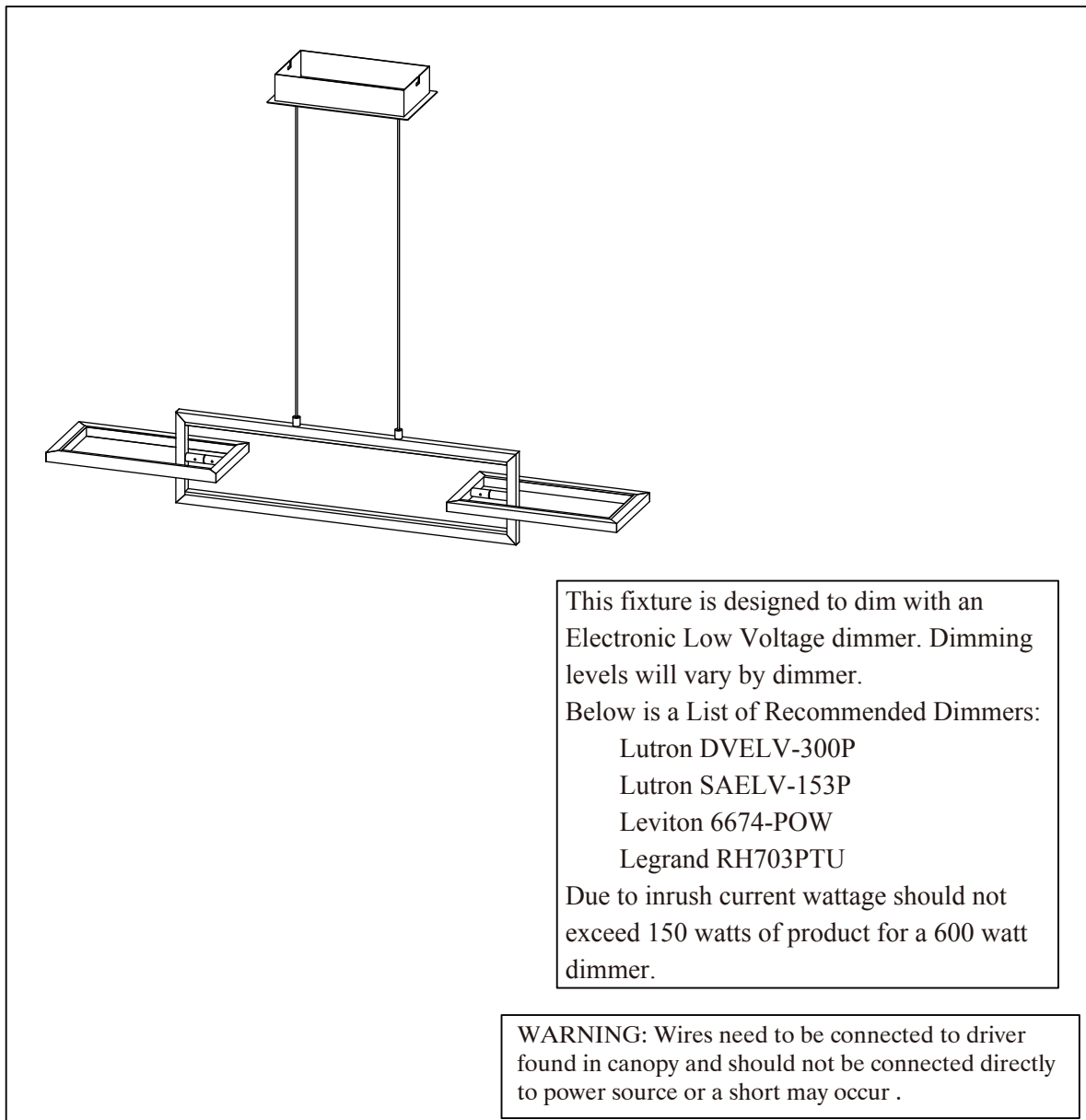


Contemporary Lighting

PRODUCT NAME: Link LED Pendant

ITEM NUMBER: E20354-SN

Please consult your electrician for hanging fixture and wiring.



Bulbs (Integrated): LED 30W

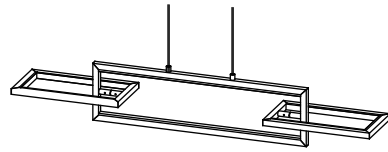
IMPORTANT: Turn off the power at the main fuse or circuit breaker box before starting installation



(A)
Mounting Bracket

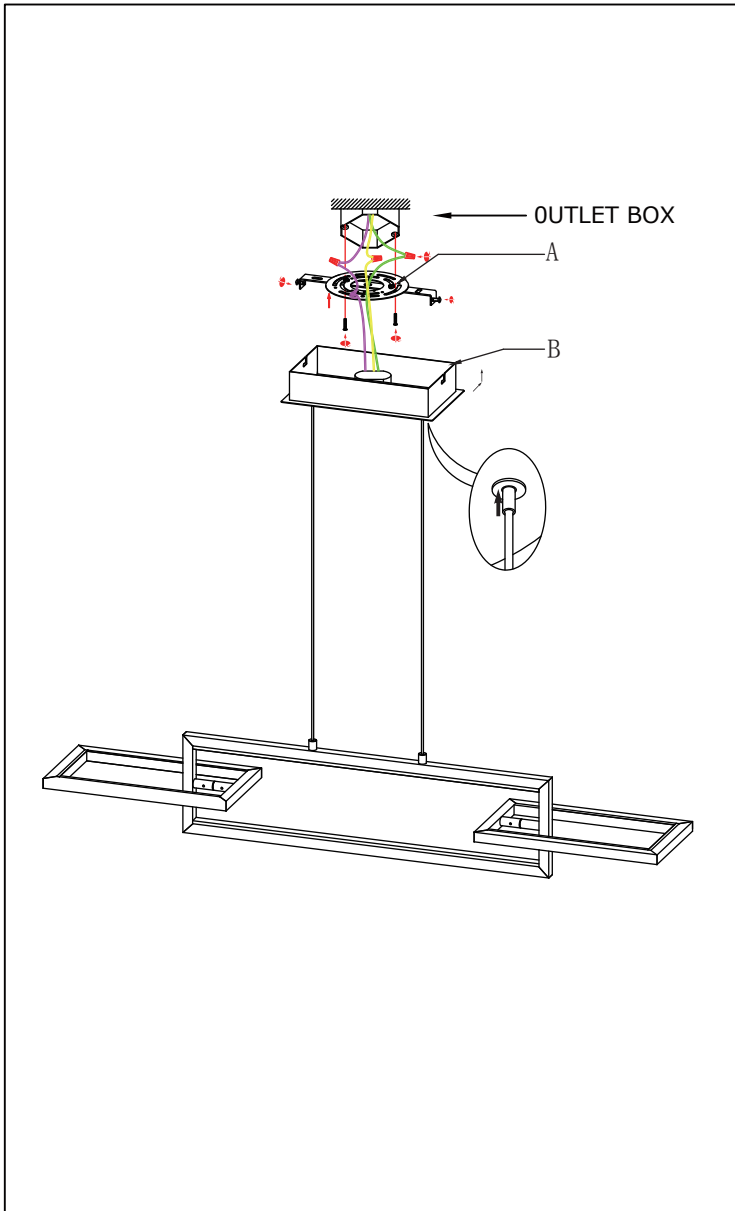


(B)
Canopy

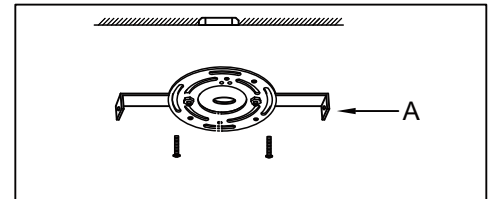


(c)
Fixture

Locate all hardware & components before discarding packaging

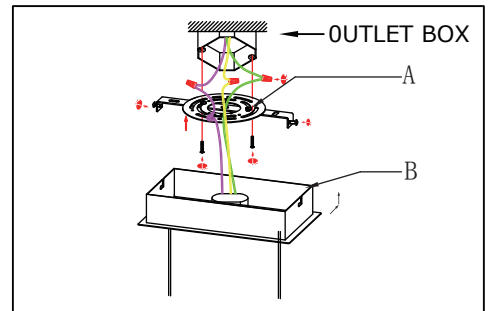


1.)



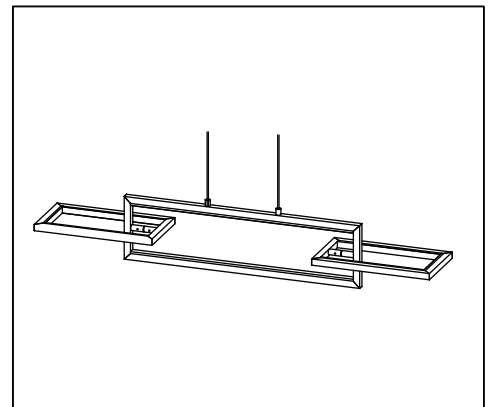
Step.1: Remove Mounting Bracket (A) from Canopy to install to electrical box.

2.)



Step.2: Wire fixture to wires in outlet box. Copper wire is for Ground. Secure canopy(B) to mounting bracket using screws on the sides of the canopy.

3.)



Step.3: Adjust wire length to desired mounting height, and tighten strain relief screws to secure.

Cleaning & Care:
Clean with soft cloth and a mild detergent.
Do not use abrasive cleaner.