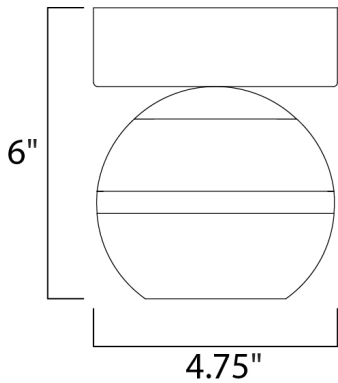




PRODUCT DESCRIPTION

Orbs of crystal Clear acrylic are trimmed with a Polished Chrome band and frosted inside for excellent light diffusion. The bottom is dimpled for a unique optical effect.



MEASUREMENTS

DIMENSION : 4.75" L x 4.75" W x 6" H x 6" Ext
 MAX OAH : 4.75" W x 2" H
 HANGING WEIGHT : 2.64 lb

LAMPING

INPUT VOLTAGE : 110-130V
 LUMENS : 480 Rated (640 Del.)
 BULB : 1 x 6W LED PCB Integrated , 6W Total
 BULB INCLUDED : (Integrated)
 DIMMABLE : Triac CL
 CRI : 80+ CRI
 COLOR_TEMP : 3000K
 LIGHTING_DIRECTION : Down

FINISHES OPTION

- Natural Aged Brass
- Polished Chrome

GLASS

Clear and Frosted 93

MATERIAL

Steel+Aluminum+Acrylic

RATINGS

cETLus
 Damp Location



ADDITIONAL

ADJUSTABLE
 RATED LIFE 25000 Hours
 OPERATING TEMPERATURE:
 -20°C (-4°F), 40°C (104°F)

Always consult a qualified electrician before installing any lighting product.