

## Soho - 48" Single Bowl

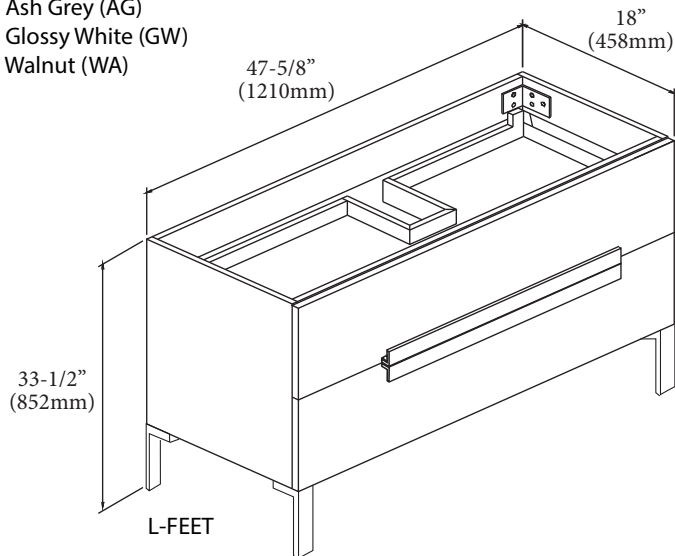
## Specification & Installation Guide

### Features

- Free standing 48" vanity : 33-1/2" (852mm)H x 18"(458mm)D x 47-5/8" (1210mm)W
- Furniture grade plywood layered with solid wood veneer and protected with several coats of polyurethane (No particle board or MDF used).
- Matching finish inside out
- Two fully adjustable drawers with full-extension soft-close European hardware.
- Drawers includes adjustable tempered glass dividers and retainers.
- Handle option: Polished chrome or brushed nickel.
- Feet option: 4 L-feet or 2 S-feet in polished chrome or brushed nickel.

### Colors/Finishes

- Ash Grey (AG)
- Glossy White (GW)
- Walnut (WA)



### Top/Basin options

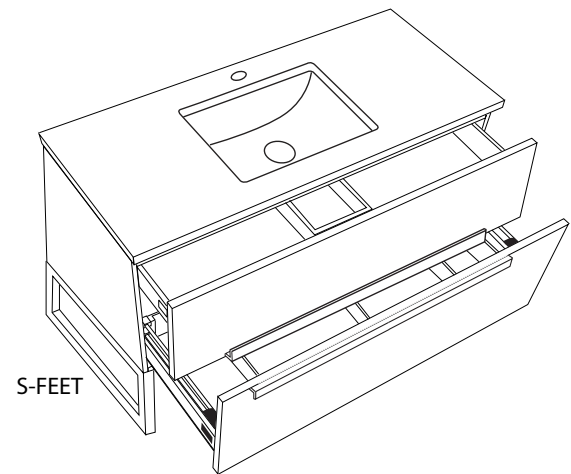
- White, Soft Grey or White Carrara Quartzstone™ top & white under mount ceramic basin
- Glossy White X-Stone top/basin
- Glossy or Matte White X-Stone flat countertop

### Package Dimensions

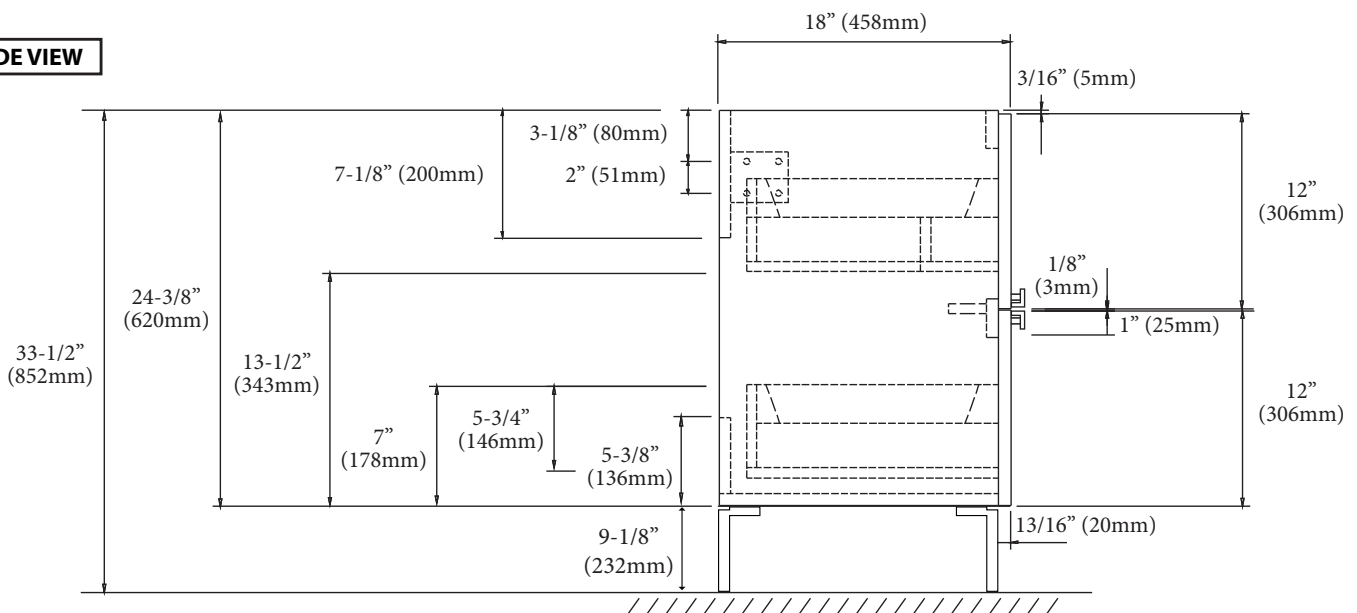
50" x 21" x 28"

### Weight

167 lbs. / 76 kgs



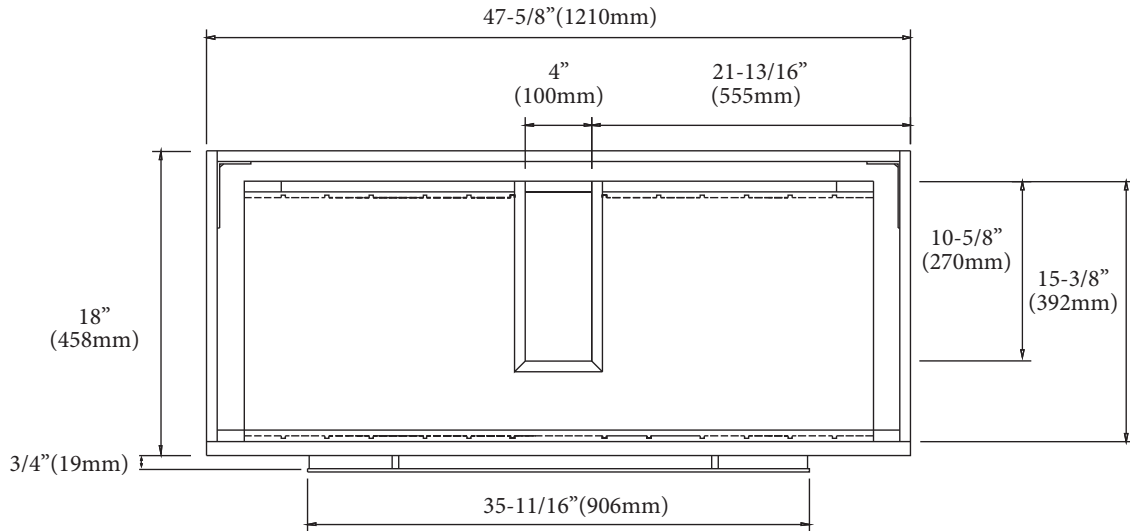
### SIDE VIEW



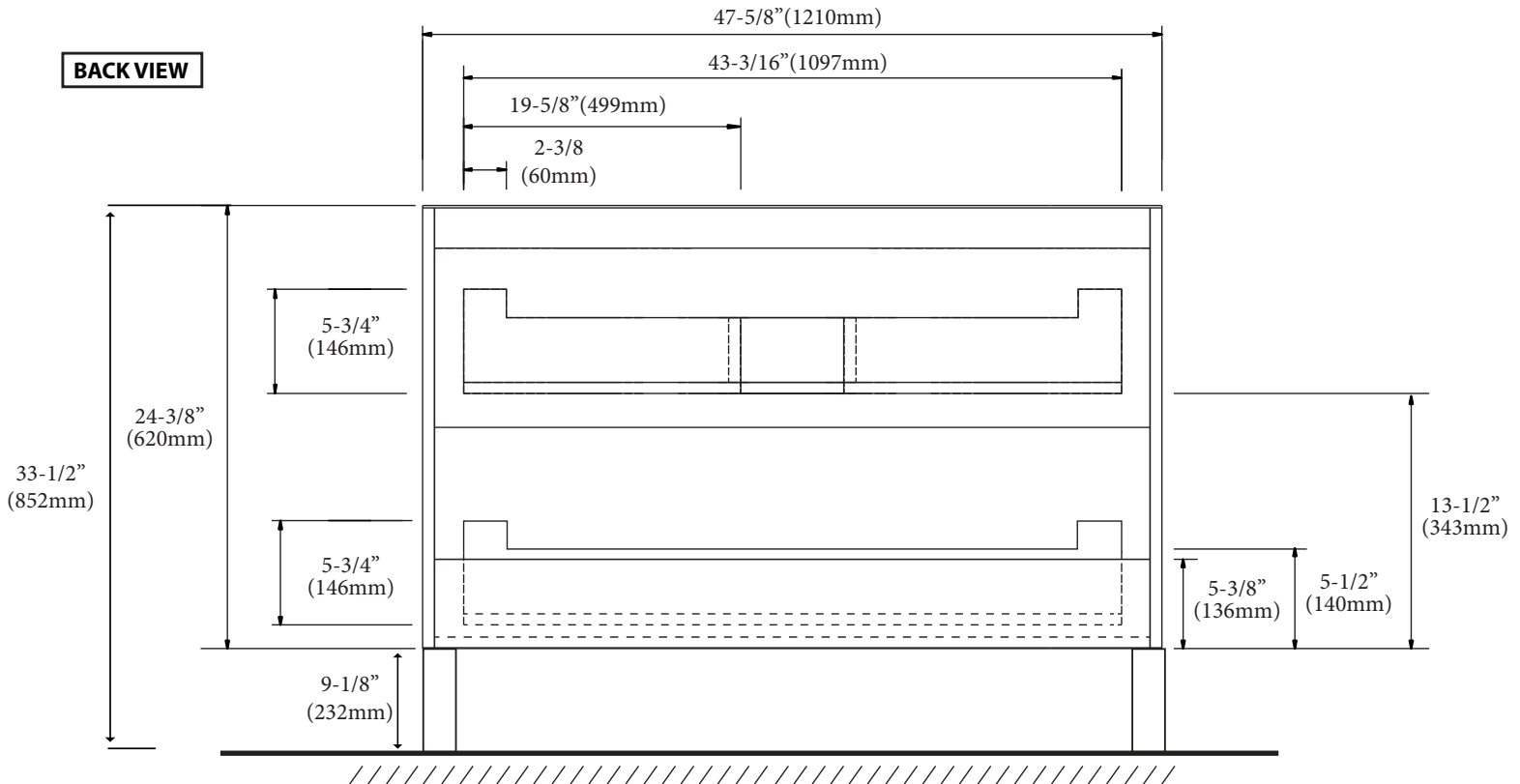
## Soho - 48" Single Bowl

## Specification & Installation Guide

### TOP VIEW



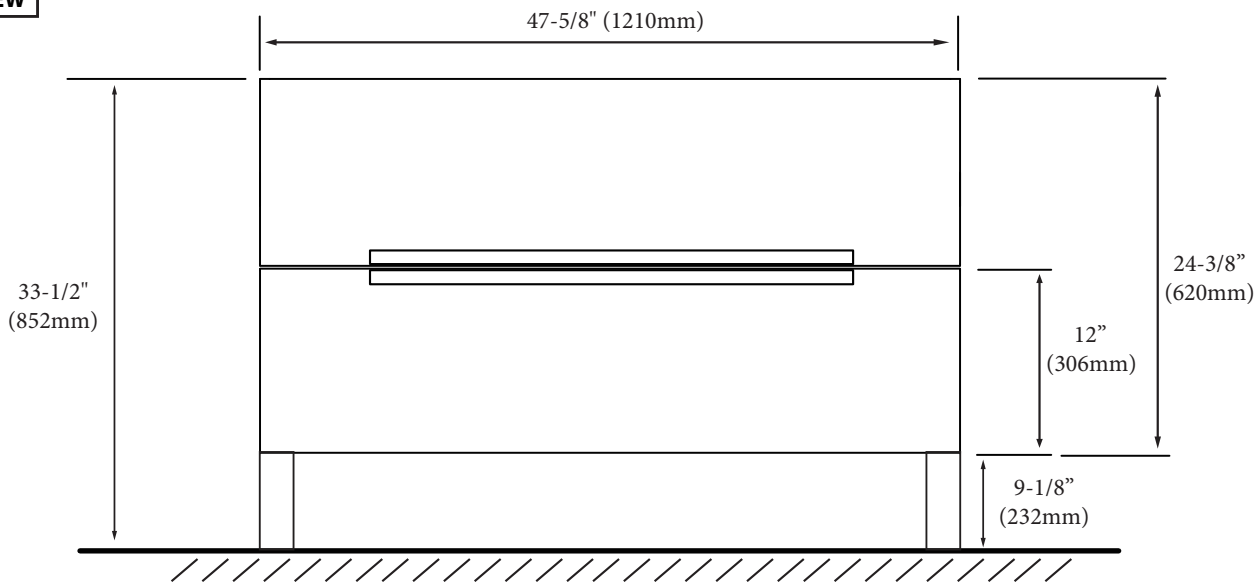
### BACK VIEW



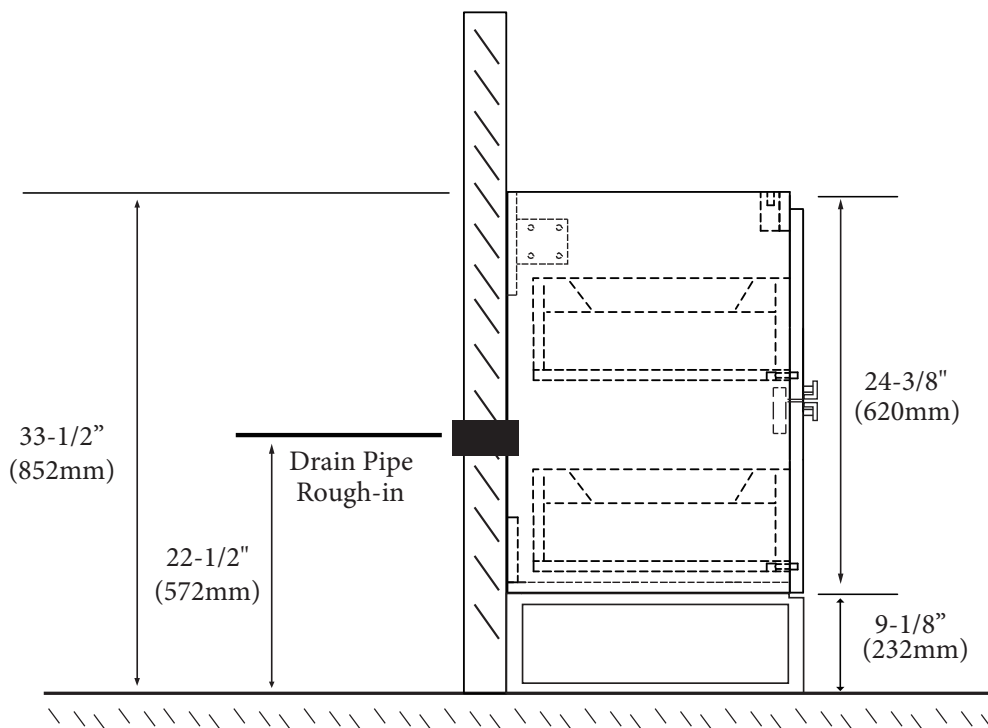
## Soho - 48" Single Bowl

## Specification & Installation Guide

### FRONT VIEW



### ROUGH-IN DIMENSIONS



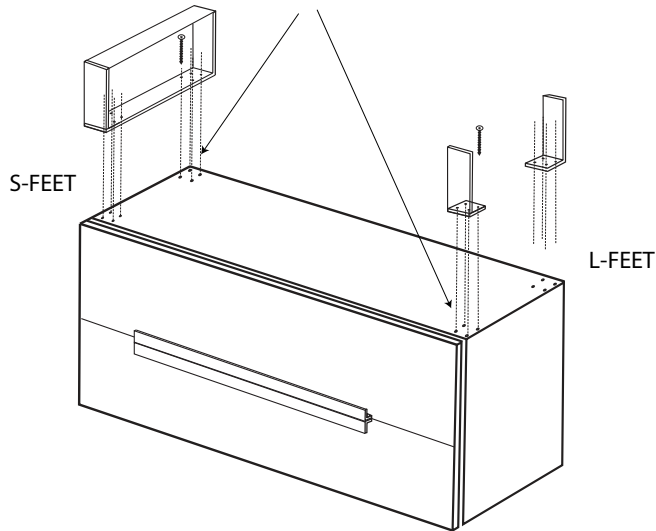
## Soho - 48" Single Bowl

## Specification & Installation Guide

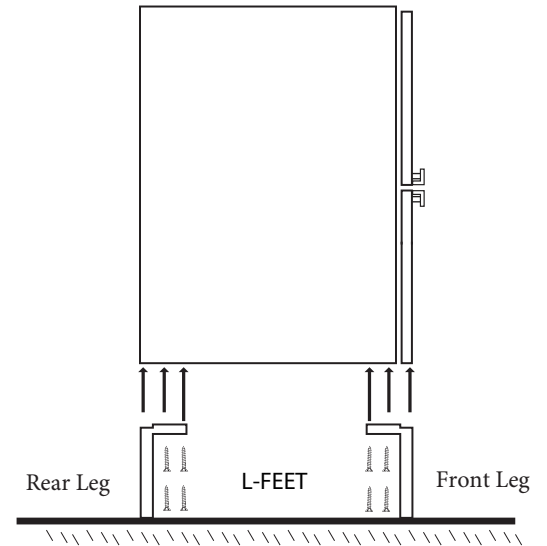
### INSTALLATION INSTRUCTIONS

#### 1. Install legs

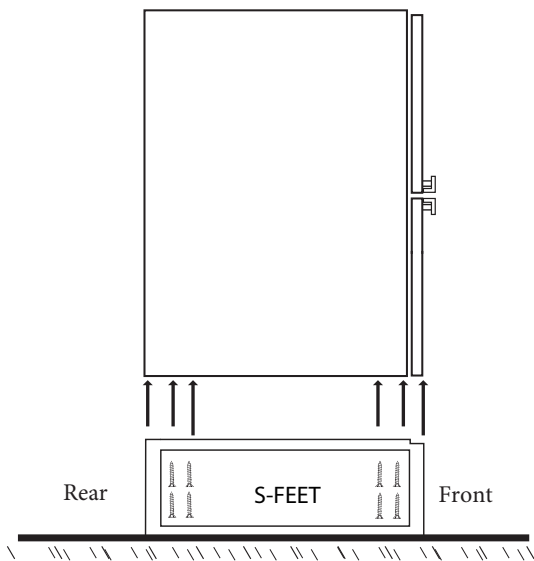
1. Place feet in indicated positions.
2. Mark screw locations.
3. Pre-drill holes with 5/64, 3/32 or 7/64 drill bit about 1/2" deep.
4. **DO NOT OVERTIGHTEN THE SCREWS. DOING SO WILL SPLIT THE WOOD SIDE PANEL.**
5. If using a regular battery drill, set clutch to minimum and increase setting as needed.
6. **DO NOT USE AN IMPACT DRILL. IT WILL SPLIT THE WOOD SIDE PANEL.**



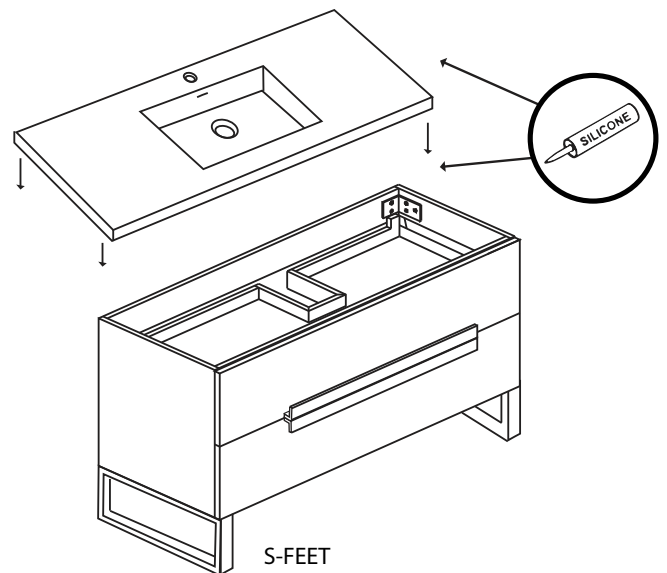
#### 2. L- Feet installation



#### 3. S- Feet installation



#### 4. Install countertop with Silicone



For clarification, please contact Madeli Customer Care at (800)-819-6988 or (305)-718-8817 Ext. 1

All dimensions are approximate and subject to standard tolerance. Specifications subject to change without prior notice.