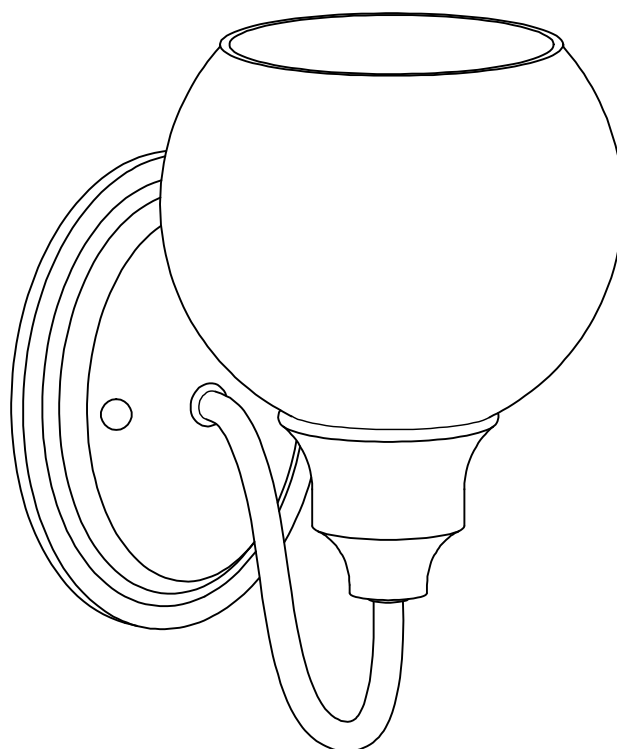




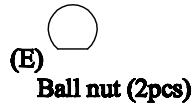
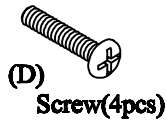
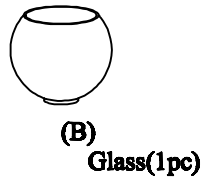
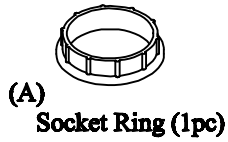
PRODUCT NAME: Ballord 1lt wall sconce
ITEM NUMBER: 1111

Please consult your electrician for hanging fixture and wiring.

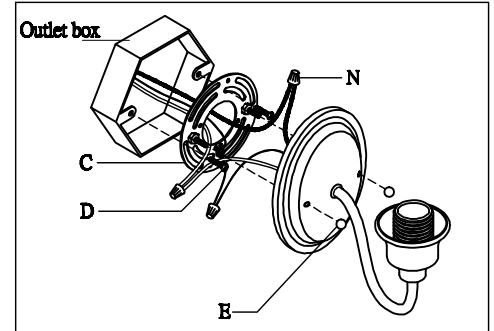
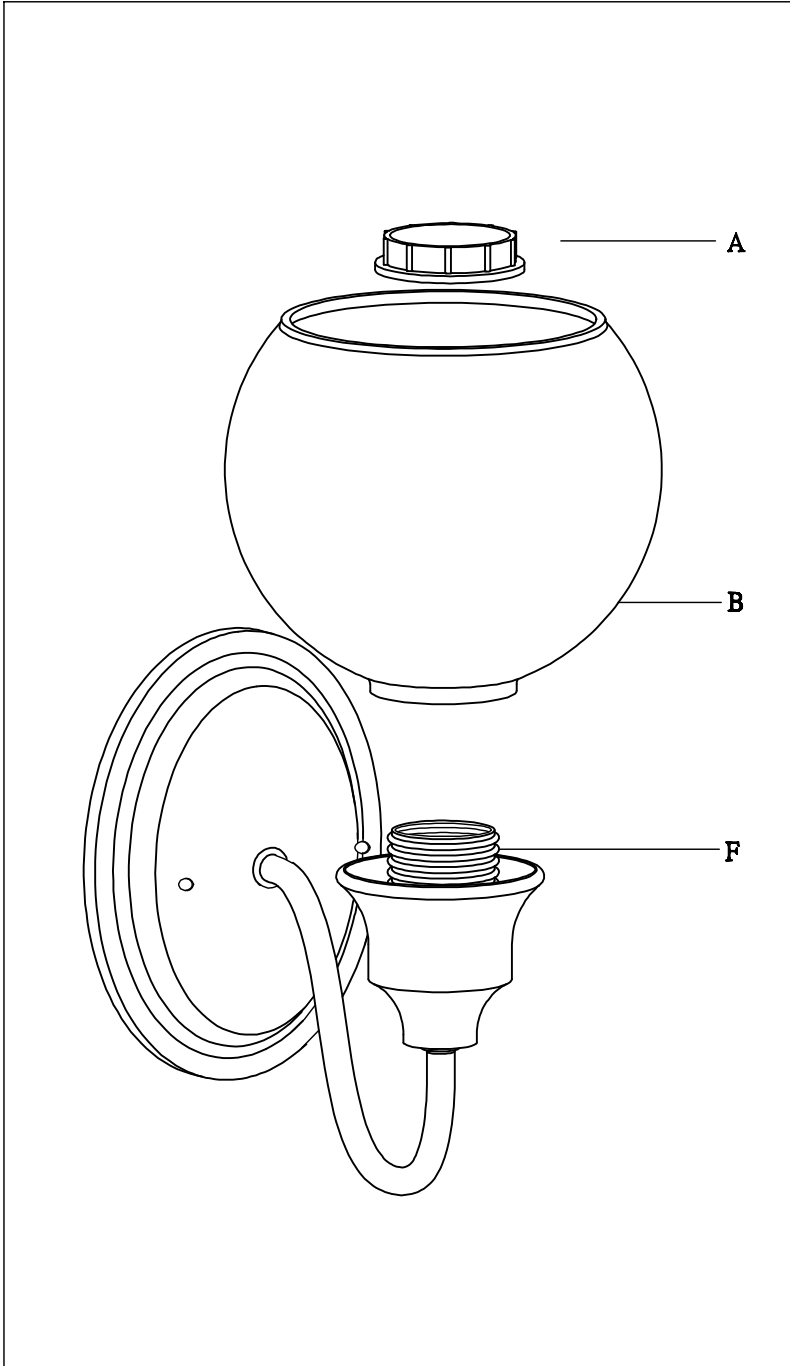


Bulb(not included): 1-60 Watt Medium Base Bulb

IMPORTANT: Turn off the power at the main fuse or circuit breaker box before starting installation

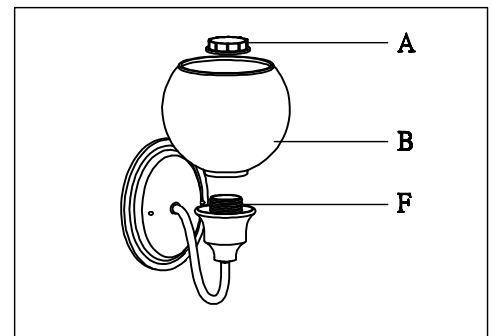


Locate all hardware & components before discarding packaging



1.)

- 1.) Remove mounting bracket (C) from fixture and install to electrical box. Then wire fixture to wires in outlet box. Copper wire is for Ground.
- 2.) Attach back plate to mounting bracket(C) and tighten ball nuts (E) so fixture meets wall.



2.)

- Step 2 : Use the socket ring (A) to secure glass (B) on socket (F).**

Cleaning & Care:

Clean with soft cloth and a mild detergent.
Do not use abrasive cleaner.