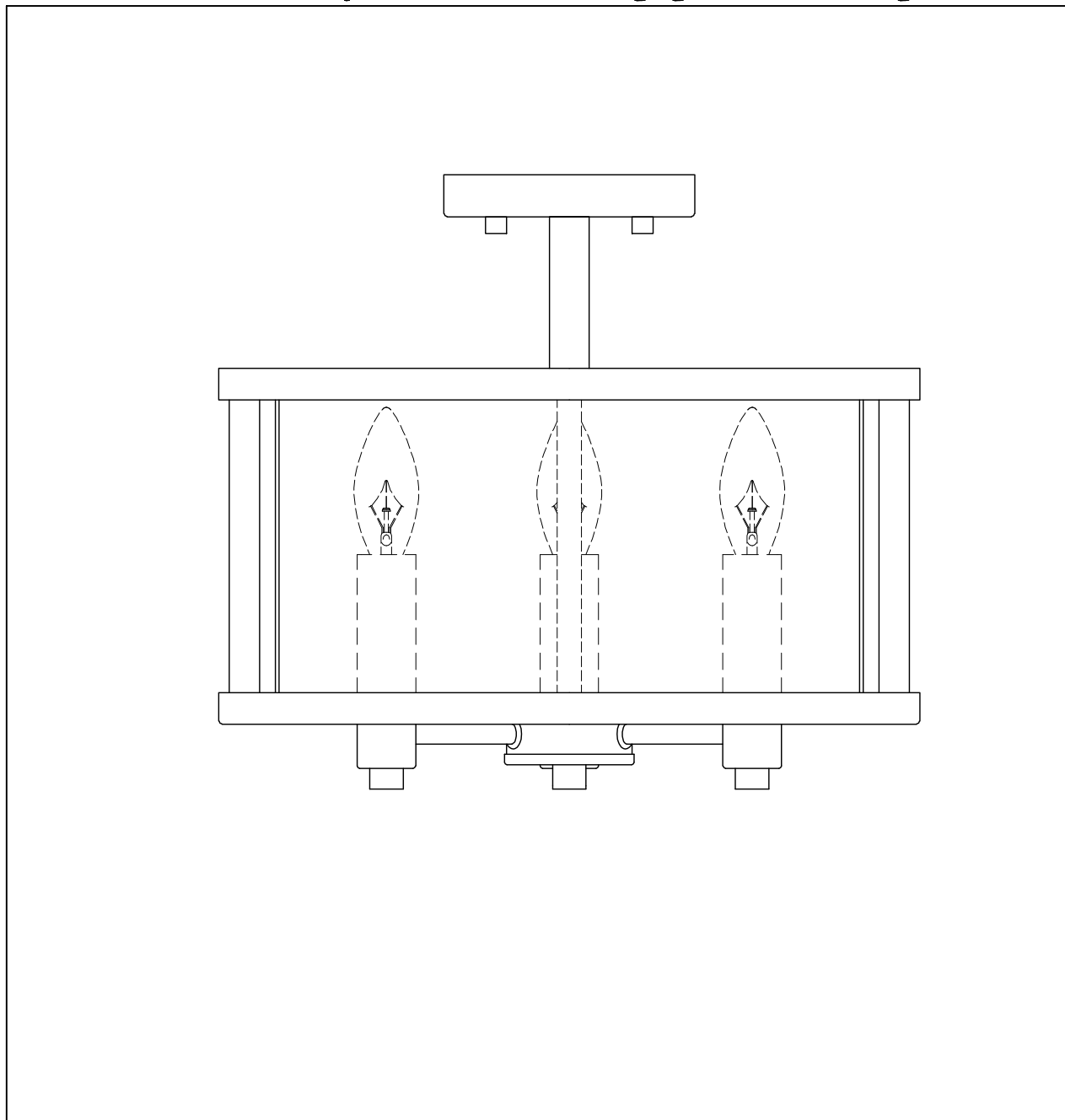




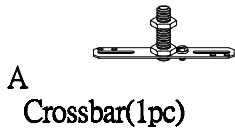
**PRODUCT NAME:** Sentinel 3-Light Semi-Flush Mount  
**ITEM NUMBER:** 25250

**Please consult your electrician for hanging fixture and wiring.**



**Bulb(not included): 3-60 Watt Candelabra Base Bulbs**

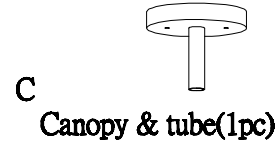
**IMPORTANT: Turn off the power at the main fuse or circuit breaker box before starting installation**



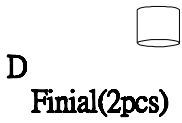
A  
Crossbar(1pc)



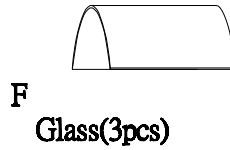
B  
Screw(2pcs)



C  
Canopy & tube(1pc)

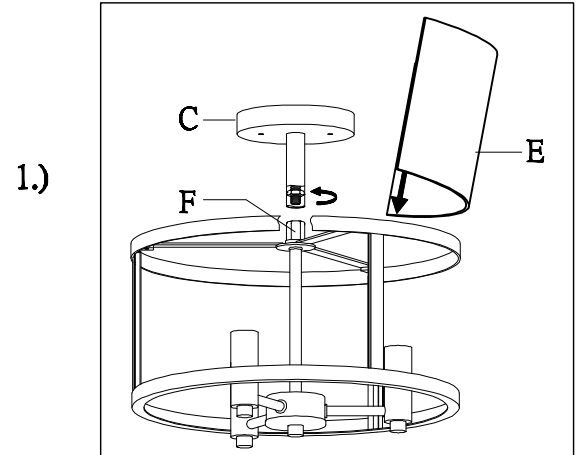
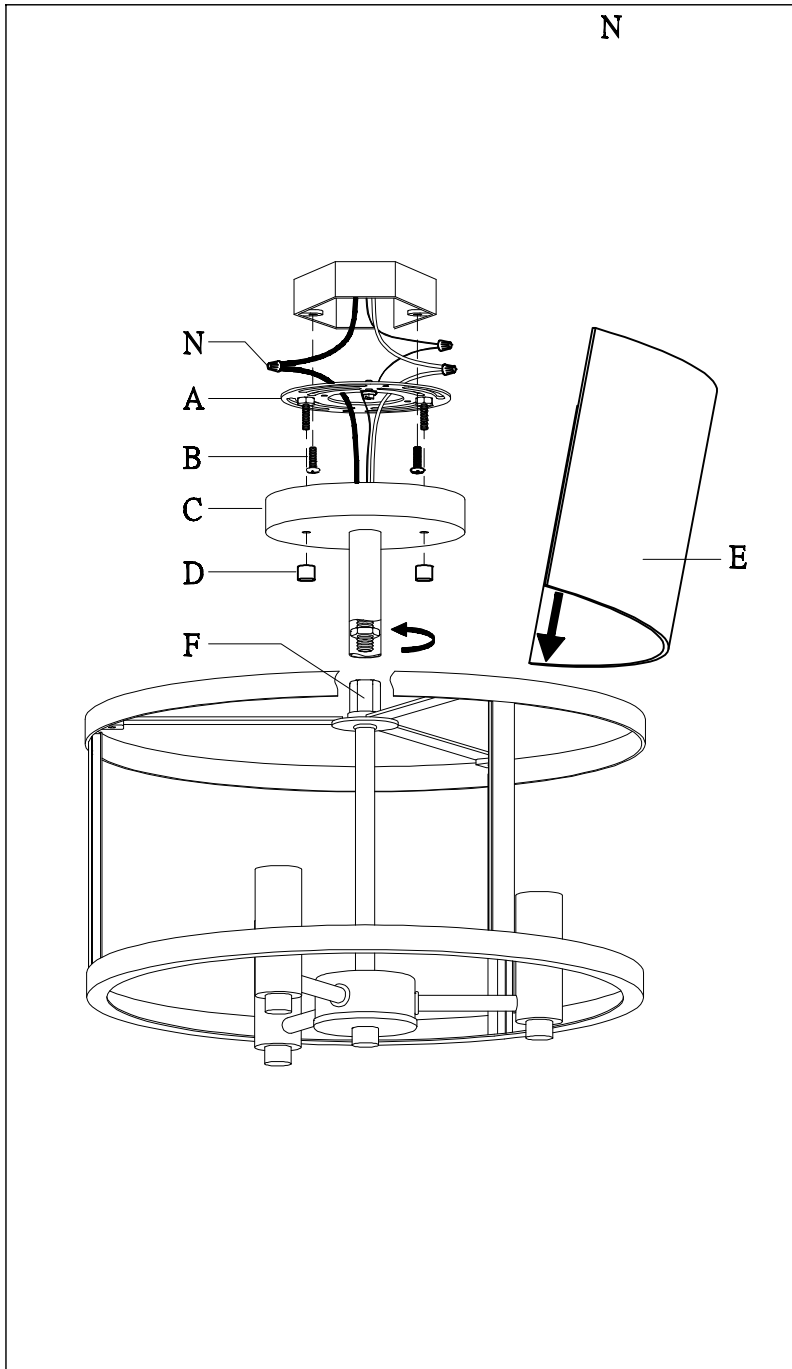


D  
Finial(2pcs)

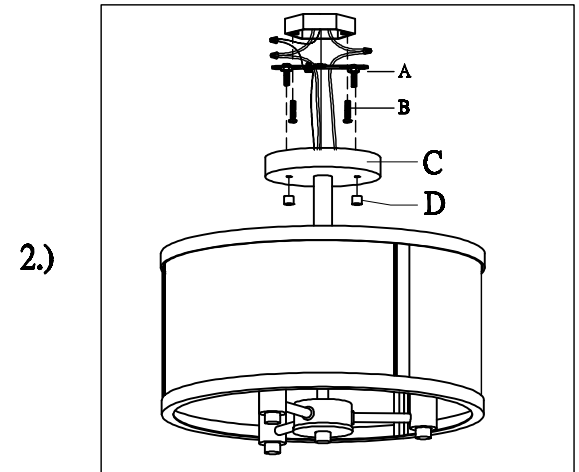


F  
Glass(3pcs)

**Locate all hardware & components before discarding packaging**



**Step 1. Thread the canopy&tube(C) to the coupler(F), Insert the glass(E) into the metal frame**



**Step 2: Install the Crossbar ( A ) to electrical box by Screws ( B ).  
Attached the fixture to the Ceiling and secure by finial(D).  
Carefully remove packaging from fixture.  
Wire fixture to wires in outlet box.  
Green wire is for Ground.**

**Cleaning & Care:**

Clean with soft cloth and a mild detergent.  
Do not use abrasive cleaner.