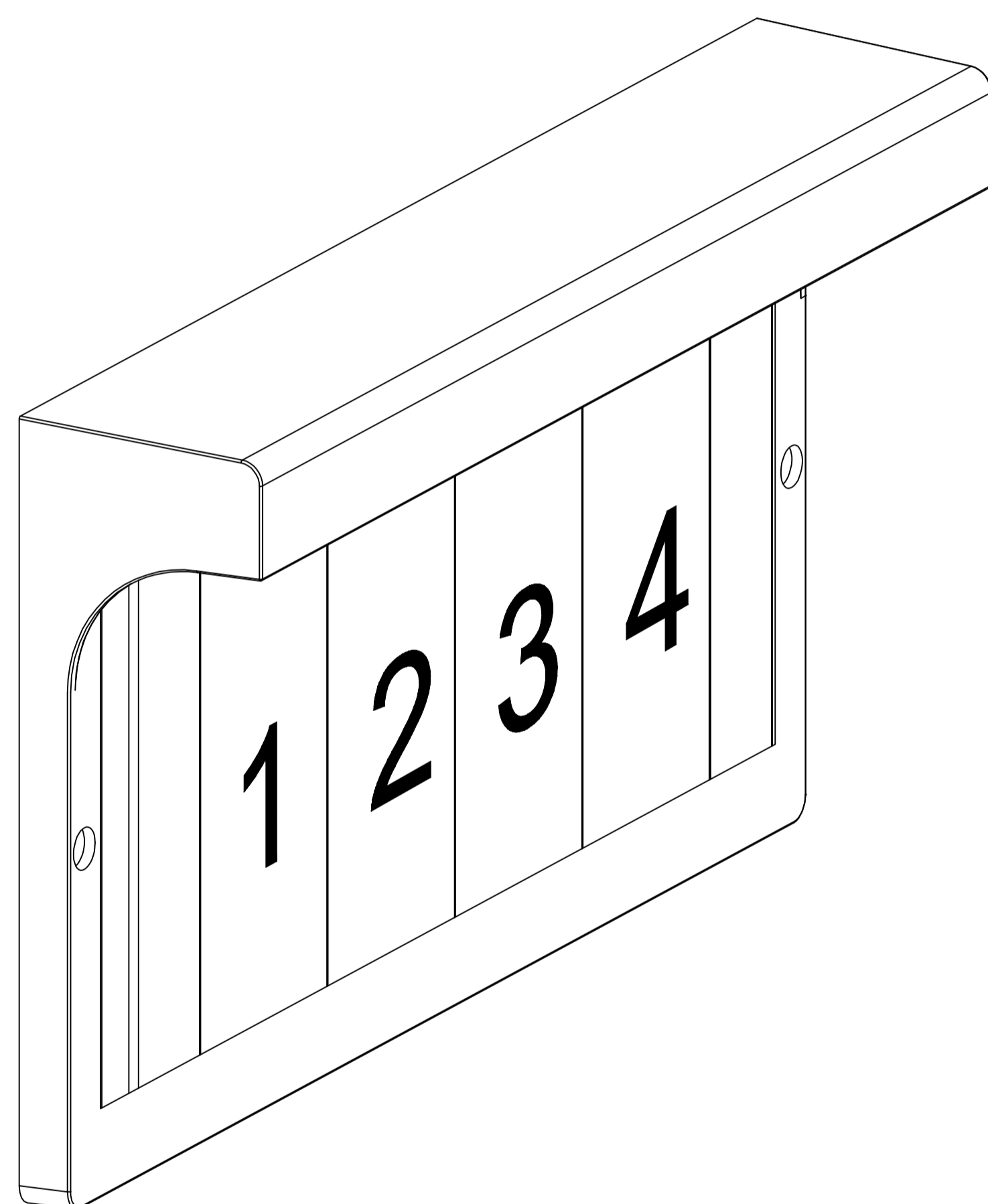




PRODUCT NAME: ADDRESS LIGHT  
ITEM NUMBER : 53610

Please consult your electrician for hanging fixture and wiring.



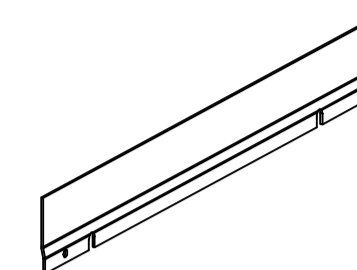
To prevent water intrusion, caulk around back-plate where fixture meets the wall using outdoor silicone sealant. Leave a small gap at the bottom to allow moisture to escape.

Warning: Address Lights operate on low voltage (12V) only. Connect fixture to low voltage transformer. Failure to do so may damage the unit or surrounding area.

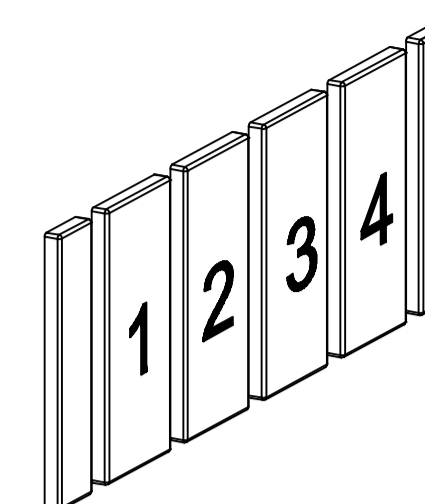
1\*3W LED

MADE IN CHINA  
Page 1 of (2)

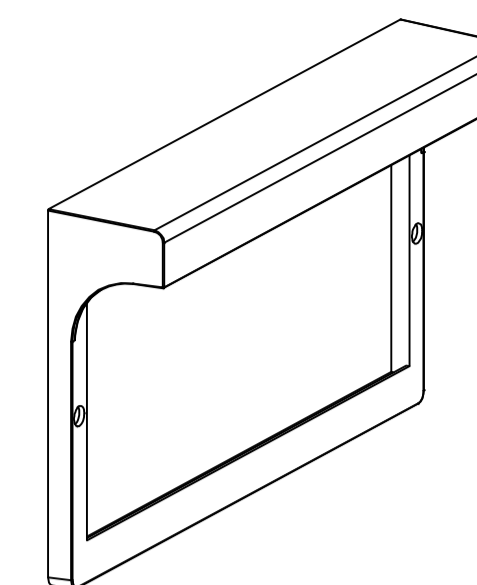
**IMPORTANT:** Turn off the power at the main fuse or circuit breaker box before starting installation.



Fixed plate  
(A)

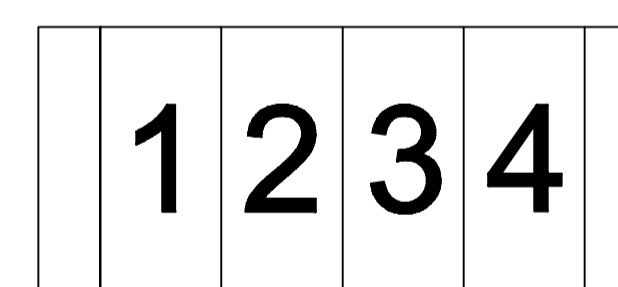
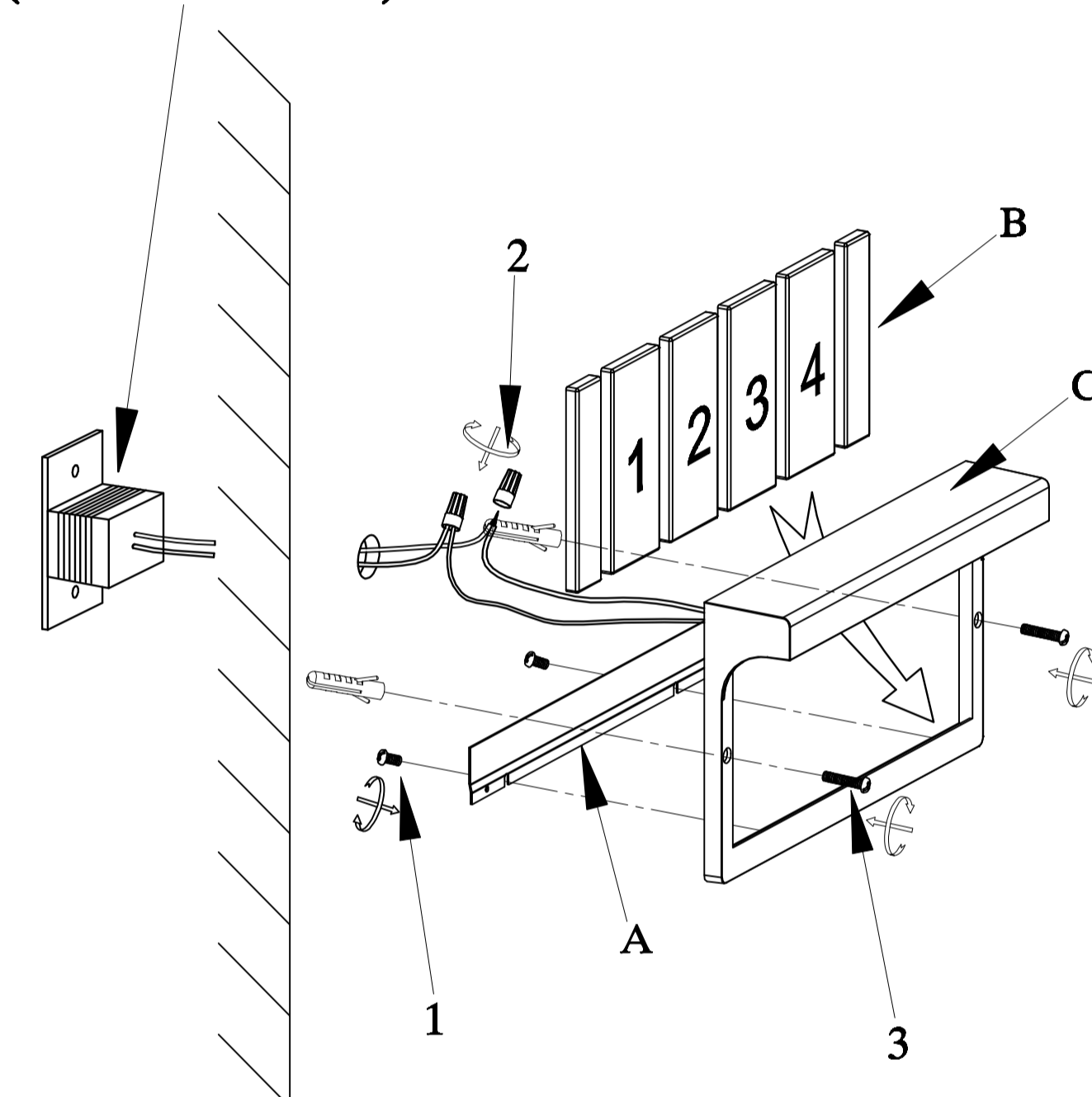


Number of tiles  
(B)

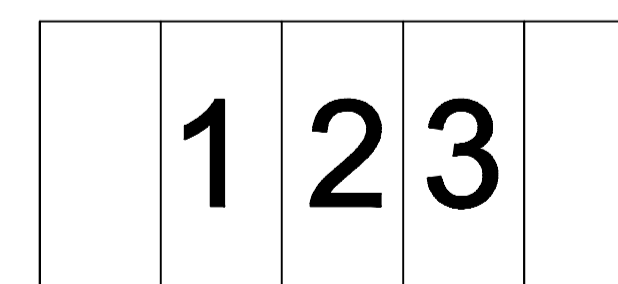


Housing  
(C)

12V TRANSFORMER  
(NOT INCLUDED)



THREE DIGIT NUMBER WITH TWO  
FULL BLANK TILES

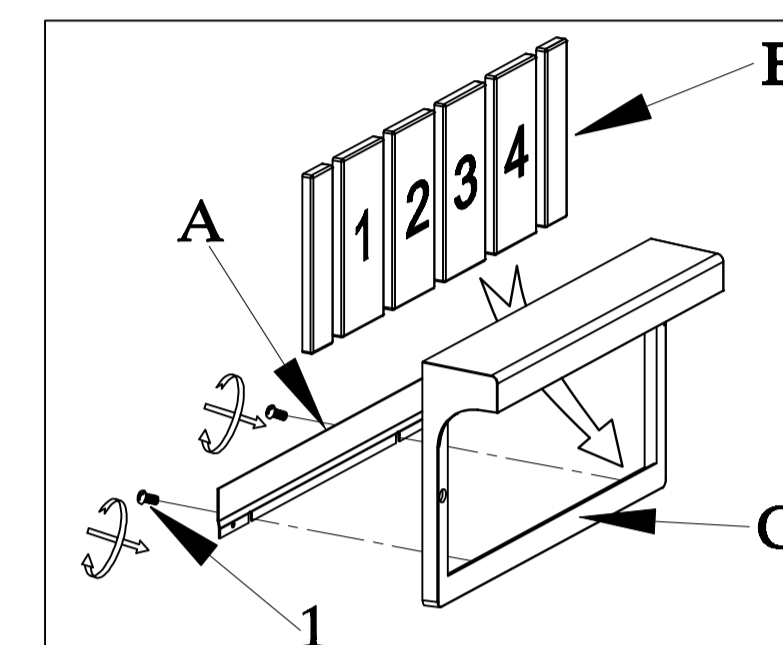


FOUR DIGIT NUMBER WITH TWO  
1/2 BLANK TILES

Cleaning:

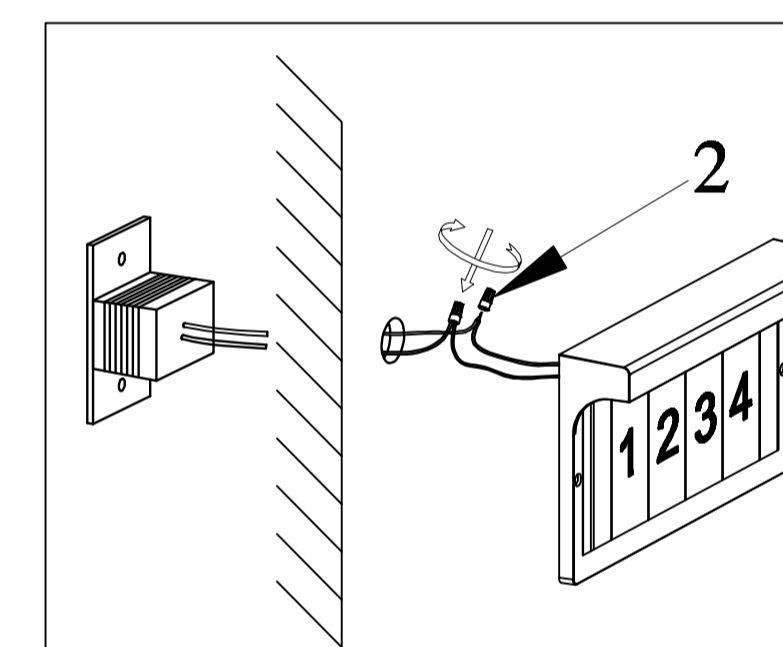
Clean with soft cloth and a mild detergent.  
Do not use abrasive cleaner. Use liquid wax on polished finishes to extend the lifetime of the finish.

1.)



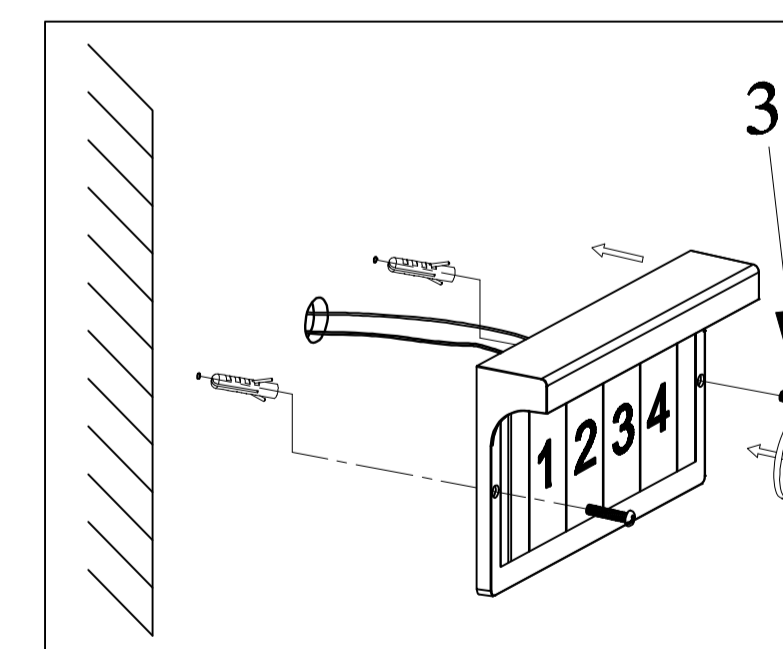
Step 1: Place desired number of tiles (not included) into the back of the housing. Use blanks when needed. (See figure under drawing) Attach tile support to the back of the housing using screws and fixed plate provided.

2.)



Step 2: Run wires from transformer through the hole in the building surface and connect to wires on unit.

3.)



Step 3: Mark where anchors should be attached to building surface. Attach housing assembly to surface with two screws provided through holes in front of housing.

Install ON/OFF switch, timer or photocell on 120 volt side of transformer

MADE IN CHINA  
Page 2 of (2)