

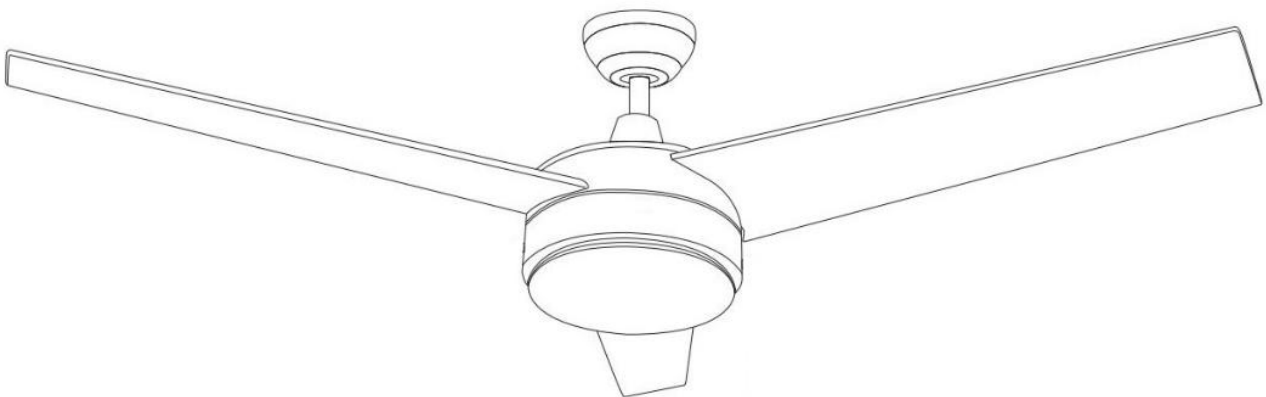


L I G H T I N G

PRODUCT NAME: 52" Ceiling Fan

ITEM NUMBER: 89909FTSNBK

Please consult your electrician for hanging fixture and wiring.



1. SAFETY RULES

1. To reduce the risk of electric shock, insure electricity has been turned off at the circuit breaker or fuse box before beginning.
2. All wiring must be in accordance with the National Electrical Code and local electrical codes. Electrical installation should be performed by a qualified licensed electrician.
3. **WARNING:** To reduce the risk of fire or electric shock, do not use this fan with any solid-state speed control. Use only the control provided with the fan.
4. **WARNING:** To reduce the risk of personal injury, use only the two steel screws (and lock washers) provided with the outlet box for mounting to the outlet box. Most outlet boxes commonly used for the support of lighting fixtures are not acceptable for fan support and may need to be replaced, consult a qualified electrician if in doubt.
7. Avoid placing objects in the path of the blades.
8. To avoid personal injury or damage to the fan and other items, be cautious when working around or cleaning the fan.
9. Do not use water or detergents when cleaning the fan or fan blades. A dry dust cloth or lightly dampened cloth will be suitable for most cleaning.
10. After making the electrical connections, spliced conductors should be turned upward and pushed carefully up into outlet box. The wires should be spread apart with the ground wire and white (common) wire to one side with the black (load) wire to the other side of the outlet box.

WARNING

To reduce the risk of fire, electric shock, or Personal Injury, mount directly to a structural framing member or to an outlet box marked 'Acceptable for Fan Support of 15.9 kg(35 lbs) or less'. For outlet box mounting, use mounting screws provided with the outlet box.

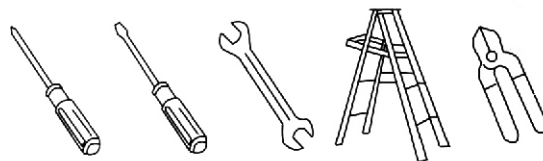
WARNING

TO REDUCE THE RISK OF PERSONAL INJURY, DO NOT BEND THE BLADE BRACKETS (ALSO REFERRED TO AS FLANGES) DURING ASSEMBLY OR AFTER INSTALLATION. DO NOT INSERT OBJECTS IN THE PATH OF THE BLADES.

5. **WARNING:** To reduce the risk of fire, electric shock, or Personal Injury, mount directly to a structural framing member or to an outlet box marked 'Acceptable for Fan Support of 15.9 kg (35 lbs) or less'. For outlet box mounting, use mounting screws provided with the outlet box.
6. The fan must be mounted with a minimum of 7 feet clearance from the trailing edge of the blades to the floor.

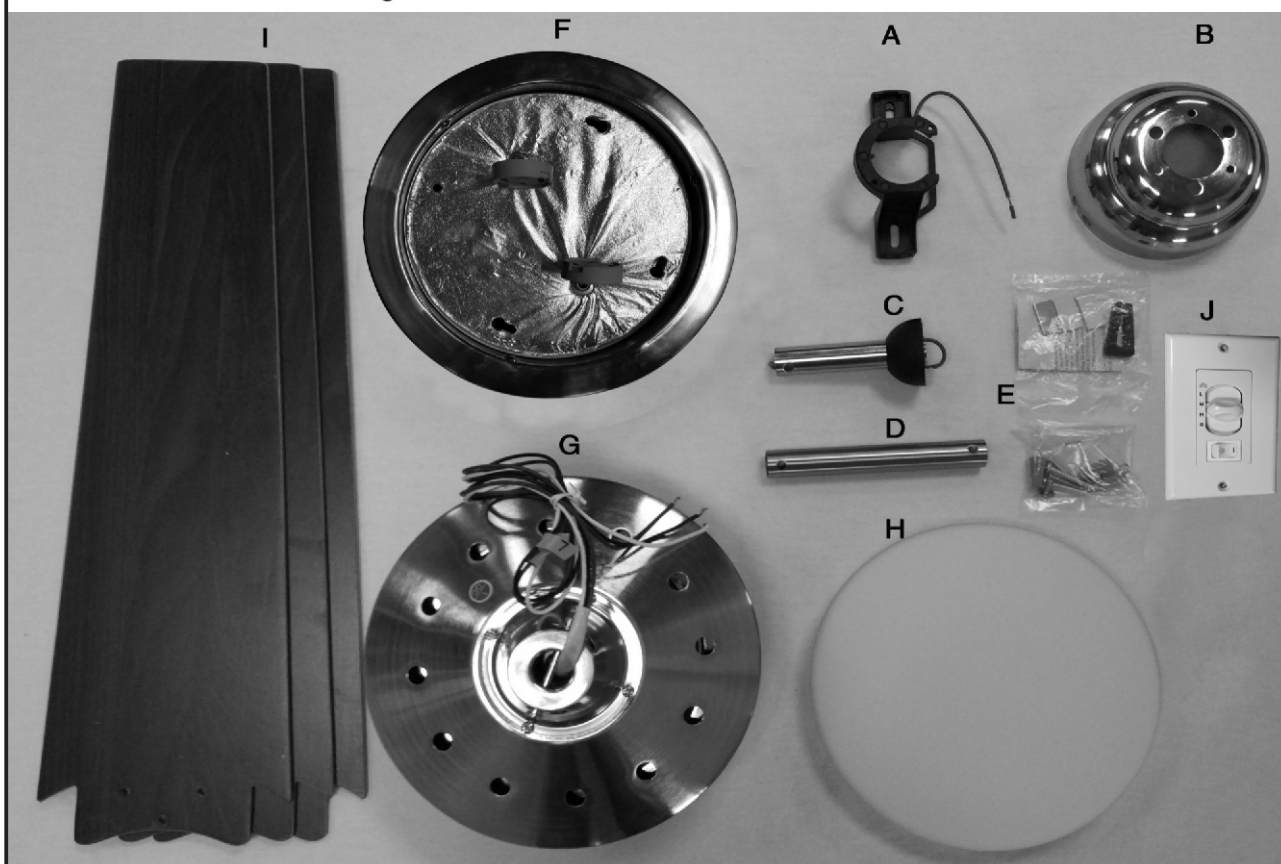
2. TOOLS AND MATERIALS REQUIRED

- Philips screw driver
- Blade screw driver
- 11 mm wrench
- Step ladder
- Wire cutters



3. PACKAGE CONTENTS

Unpack your fan and check the contents .
You should have the following items:



CONTENTS OF BOX

- | | |
|--------------------|---------------------------|
| A. Bracket x 1 | G. Fan motor assembly x 1 |
| B. Canopy x 1 | H. Glass x 1 |
| C. 4" down rod x 1 | I. Blades x 3 |
| D. 6" down rod x 1 | J. Wall switch x 1 |
| E. fixing kits x 2 | |
| F. Light kit x 1 | |

Cleaning & Care:
Clean with soft cloth and a mild detergent.
Do not use abrasive cleaner.

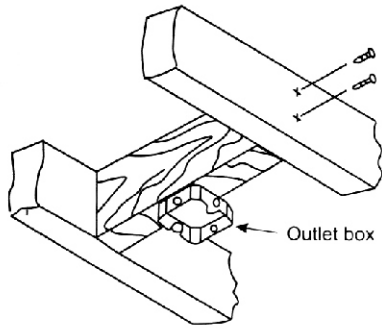


Fig.A

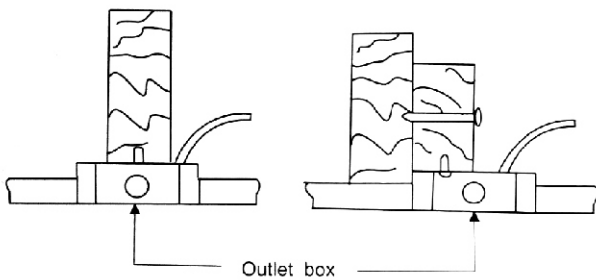


Fig.B

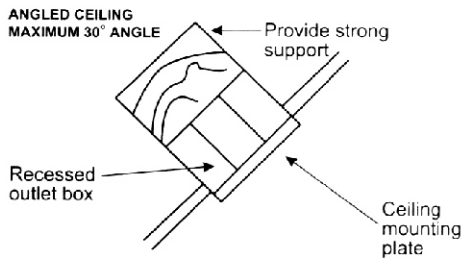


Fig.C

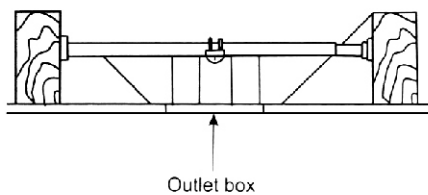


Fig.D

4. MOUNTING OPTIONS

If there isn't an existing ETL listed mounting box, then read the following instructions. Disconnect the power by removing fuses or turning off circuit breakers.

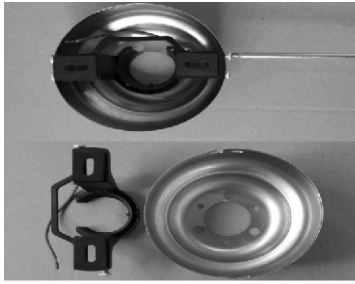
Secure the outlet box directly to the building structure. Use appropriate fasteners and building materials. The outlet box and its support must be able to fully support the moving weight of the fan (at least 50 lbs). Do not use plastic outlet boxes.

Figures A, B and C are examples of different ways to mount the outlet box.

NOTE: If you are installing the ceiling fan on a sloped (vaulted) ceiling, you may need a longer downrod to maintain proper clearance between the tip of the blade and the ceiling. A minimum clearance of 12" is suggested for optimal operation.

NOTE: Depending on the location you have selected for installation, you may need to purchase and install a "Joist Hanger" for the support of the outlet box. Make sure the joist hanger you purchase has been designed for use with ceiling fans. (Fig. D)

- Remove the canopy from the mounting bracket, Pass the downrod through the canopy and thread the fan wires through the downrod.

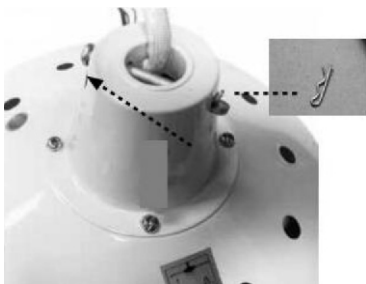


5-1



5-2

- Remove the pin from the motor assembly and insert the down rod, push the pin through the down rod and the motor assembly, secure the down rod by tightening the locking screws. (ensure you do not trap any wires).



6-1



6-2

7. Installing Fan to the Electrical Box

WARNING

TO REDUCE THE RISK OF FIRE, ELECTRIC SHOCK OR OTHER PERSONAL INJURY, MOUNT FAN ONLY TO AN OUTLET BOX OR SUPPORTING SYSTEM MARKED ACCEPTABLE FOR FAN SUPPORT AND USE THE MOUNTING SCREWS PROVIDED WITH THE OUTLET BOX.

- Pass the 120-volt supply wires through the center hole in the ceiling mounting bracket as shown in Figure E.
- Install the ceiling mounting bracket on the outlet box with the screws and washers provided with your outlet box (Figure E).
- Securely tighten the two mounting screws.
- Carefully lift the fan assembly up to the ceiling mounting bracket and seat the hanger ball in the mounting bracket socket. Make sure the tab on the mounting bracket socket is properly seated in the groove in the hanger ball (Figure F). This will help to balance the ceiling fan.
- Insert the other two set screws and washers. Tighten all the screws, make sure that the canopy is secure and that you have not trapped any wires (Figure G).

WARNING

THE TAB IN THE RING MUST REST IN THE GROOVE OF THE HANGER BALL AS FIGURE E. FAILURE TO PROPERLY SEAT THE TAB IN THE GROOVE COULD CAUSE DAMAGE TO WIRING.

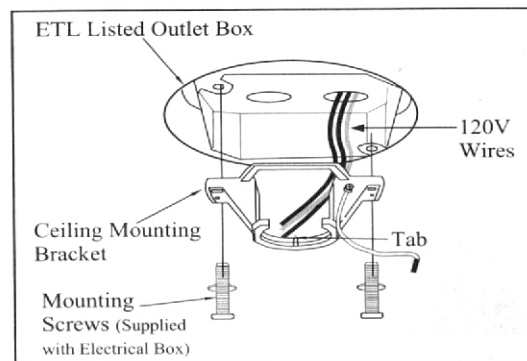


Figure E

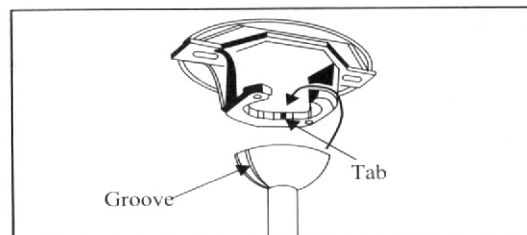


Figure F

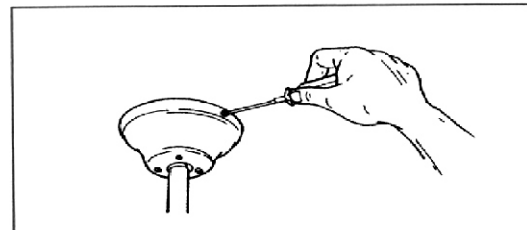


Figure G

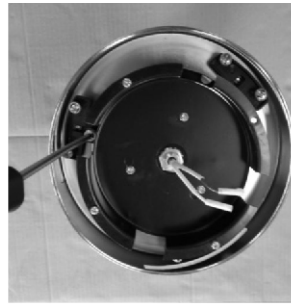
8. Take off the light kit from the motor assembly,remove the screws from the blade and install the blades by tightening the screws.



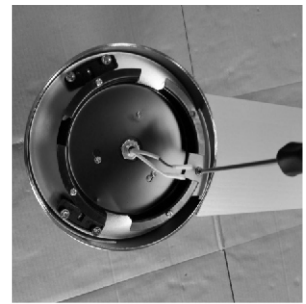
8-1



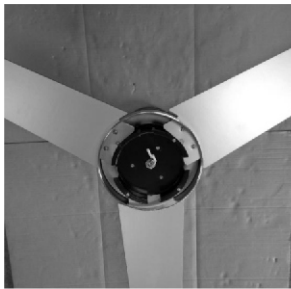
8-2



8-3



8-4

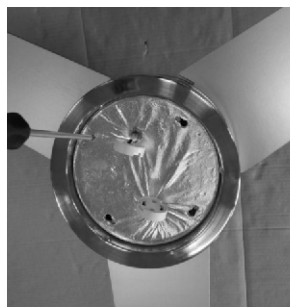


8-5

9. Using the connector block for wiring between the light kit and motor assembly and tighten the light kit,put on the glass.



9-1



9-2



9-3



9-4



9-5

Cleaning & Care:
Clean with soft cloth and a mild detergent.
Do not use abrasive cleaner.

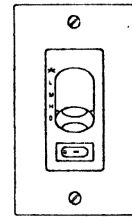
10.

WASFL-04 WALL CONTROL

SPECIFICATION and INSTRUCTION SHEET

DESCRIPTION: One Ceiling Fan&Light, 3Speed wall Control

ELECTRICAL SPECS: 120 Volts, 60Hertz, Fan150watt, Light Rating 190W.



How To Wire and Operate WASFL-04 Wall Control

NOTE: If fan or supply wires are different colors than indicated, have this unit installed by a qualified electrician.

1.Installing Wall Control(Figures 1):

- .With electrical power still disconnected, remove the existing wall plate and switch.
- .Make wiring connections with wire nuts as shown in Figure 1.

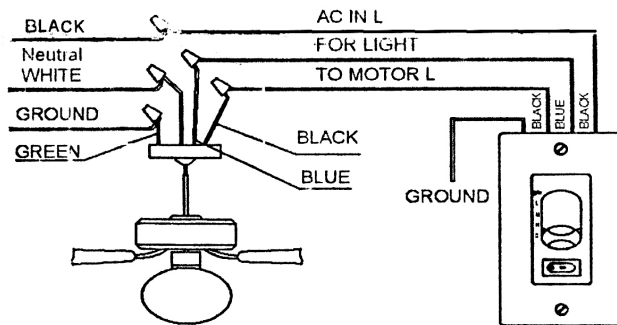


Figure 1.

- .Attach wall control unit to outlet box using the two screws provided.
- .Attach wall plate to the switch control front.
- .Restore electrical power.

⚠ WARNING	⚠ WARNING
To avoid possible fire or shock, make sure that the electrical wires are completely inside the outlet box and not pinched between the wall plate and the wall.	Check to see that all connections are tight, including ground, and that no bare wire is visible at the wire connectors, except for the ground wire. Do not operate fan until the blades are in place. Noise and fan damage could result.

2.Operating & Using Wall Control:

NOTE: Set pull chain to high speed before using the wall control. You can now use your speed control to select any of the 3-speeds plus OFF.

- | | |
|------------------------------|----------------------|
| .OFF Position-fan off | Light Control |
| .H Position-high fan speed | Toggle Switch-on/off |
| .M Position-medium fan speed | |
| .L Position-low fan speed | |

11. TROUBLESHOOTING

Problem	Solution
----------------	-----------------

Fan will not start.	1. Check circuit fuses or breakers. 2. Check all electrical connections to insure proper contact. CAUTION: Make sure the main power is OFF when checking any electrical connection.
---------------------	---

Fan sounds noisy.	1. Make sure all motor housing screws are snug. 2. Make sure the screws that attach the fan blade brackets to the motor are tight. 3. CAUTION: Make sure main power is off. 4. Allow a 24-hour "breaking-in" period. Most noise associated with a new fan disappear during this time. 5. Do not connect this fan to a wall mounted variable speed control(s). They are not compatible with ceiling fan motors or remote controls. 6. Make sure the upper canopy is a short distance from the ceiling. It should not touch the ceiling.
-------------------	--

Fan wobble.	1. Check that all blade and blade arm screws are secure.
-------------	--

Remote control malfunction.	1. Ceiling Fans with remote control systems CAN NOT be operated in conjunction with any other control system EXCEPT a basic On/Off wall switch, if desired.
-----------------------------	---