

INSTALLATION INSTRUCTIONS

Item#N6564-596 (New. 2017/04/18)

READ AND SAVE THESE INSTRUCTIONS

WARNING! SHUT POWER OFF AT FUSE OR CIRCUIT BREAKER.

AVERTISSEMENT! COUPER LE COURANT AU NIVEAU DES FUSIBLES OU DU DISJONCTEUR.

PREPARATION (Fig. 1)

1. Shut off the power at the fuse box or circuit breaker. If necessary, remove the old fixture, including the mounting hardware.
2. Carefully remove the fixture from the carton and check that all parts are included as shown in the illustration.
3. Secure metal tube (D) onto the nipple (E) that one on the fixture body (I).
4. Secure one side of metal bars (C) to the housing (A) by using screws (B), then secure the other side of metal bars (C) to fixture body (I) by screws (B) too.
5. Install crystal flowers (J) to proper position of fixture body (I).

ASSEMBLING THE FIXTURE WITH CHAIN LOOP (Fig. 2)

6. Secure the nipple into the ceiling loop until snug.
7. Secure the other end of the nipple with the ceiling loop attached to the crossbar until snug.
8. Place the lock washer and hex nut over the end of the nipple protruding through the crossbar. Then thread the hex nut until tight.
9. Take the crossbar assembly and mount it to the ceiling outlet box with the mounting screws (Size: #8-32N*L0.5"). The side of the crossbar marked "GND" must face out
10. Attach the quick link to the fixture loop. Quick link must be completely closed when installed.
11. By measuring, determine the correct number of links needed for the desired hanging height. Use a pair of chain pliers to open one end link of the chain and discard the excess chain.
12. Slip the lock collar and canopy over the chain. Attach a quick link to the other end link of the chain. Then raise the fixture and attach the quick link to the ceiling loop. Close the quick link.
13. Carefully lace the fixture wires through the chain links and pull until tight. Then feed the wires through the lock collar, canopy, ceiling loop and the nipple and pull until tight.

CONNECTING THE WIRES (Fig. 3)

14. At this point, connect the electrical wire as shown in figure 3, making sure that all wire connectors are secured. If your outlet has a ground wire (green or bare copper), connect the fixture's ground wire to it. Otherwise, connect the fixture's ground wire directly to the crossbar using the Green Screw provided.
15. Tuck these wire connections neatly into the ceiling outlet box, then raise the canopy a all the way to the ceiling. Thread the lock collar to the ceiling loop to secure the canopy against the ceiling.

COMPLETING THE INSTALLATION (Fig. 1)

16. Place the metal tube (H) over the socket (K) and attach the glass shade (G) to the metal tube (H).
17. Install light bulbs (F) (not included) in accordance with the fixture's specification. **(DO NOT EXCEED THE MAXIMUM WATTAGE RATING!) (NE PAS DEPASSER LA PUISSANCE NOMINALE MAXIMALE!).**

Your installation is now complete. Return power to the junction box and test the fixture.

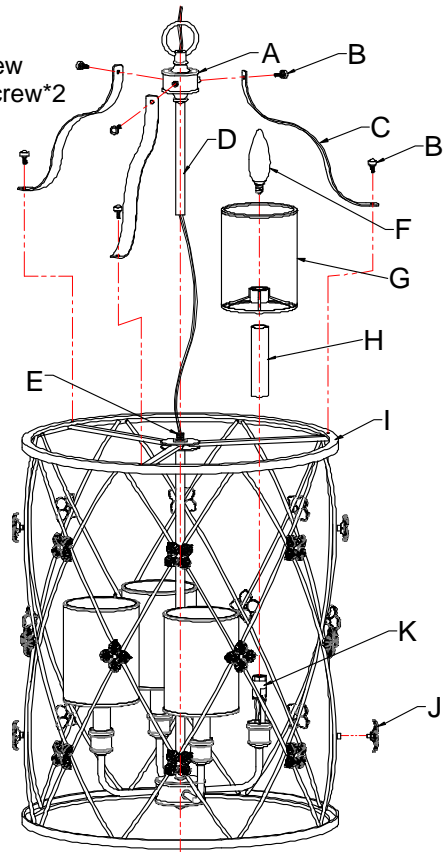
Fig. 1

Set#A-012

-Cross Bar

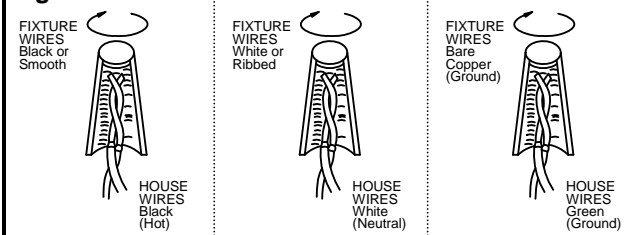
-Ground Screw

-Mounting Screw*2



Chain#HCH4072-596

Fig. 3



Notice: It is important to use proper chain pliers (not included) To OPEN and CLOSE the chain included with this fixture. Do not open them with other tools that may twist or stress the chain links. It is important to use proper chain pliers like the ones shown in the diagram.

Fig.2 Note: Illustration (Fig. 1) on this manual is for installation purposes only. It may or may not be identical to the fixture purchased.

