



**JAVA LED™**

BY  
**minkaAire®**  
A Minka Group® Co.

*INSTRUCTION MANUAL WARRANTY CERTIFICATE*

©2017 Minka Lighting Inc. Manual design and elements of manual design are protected by United States Federal and/or State Law including Patents, Trademark, and/or Copyright Laws.



The Minka-Aire® warranty is for one (1) year from the date of purchase from an authorized Minka-Aire® dealer. This warranty is only valid to the original purchaser or user against all defects in material and workmanship (light bulbs excluded) for one (1) full year. Additionally, Minka-Aire® warrants the motor only for the lifetime of the Minka Aire ceiling fan (excluding wall controls and electrical components), to the original purchaser or user.

- \* The warranty is voided with the use of any non- Minka-Aire® electrical devices, E.g., wall controls or electrical dimmer switches, etc...
- \* The warranty is void once the original purchaser or user ceases to own the fan or the fan is moved from its original point of installation.
- \* The warranty is void with the use of any hanger bracket (non-Minka Aire or non-fan specific) other than the hanger bracket supplied & installed with this specific fan.

## Warranty Service Information

To obtain warranty service during the warranty period, the purchaser should return the fan with the sales receipt to the original place of purchase. The authorized Minka-Aire® dealer, at its sole discretion, will either repair or replace the fan after verifying the legitimacy of the warranty claim. Replacement is subject to availability of the same model. If the model is unavailable it will be replaced by one of equal value. This is a limited warranty; the original purchaser or user is responsible for the cost of removal and reinstallation of repaired or replacement product.

To obtain the name of the Minka-Aire® authorized dealer nearest you call the Minka-Aire® customer care department at 1-800-307-3267, or contact Minka-Aire® through [www.minkagroup.net](http://www.minkagroup.net) and select FAQ to answer any questions or if you require additional assistance submit the question form found there.

Date Purchased \_\_\_\_\_ Store Purchased \_\_\_\_\_ Model Number F753L Serial Number \_\_\_\_\_

# CONTENTS

SAFETY RULES.....	1	INSTALLING THE MOUNTING PLATE.....	8
PACKAGE CONTENTS.....	2	INSTALLING THE LED LIGHT KIT.....	9
INSTALLING THE FAN.....	3	INSTALLING GLASS SHADE .....	10
HANGING THE FAN.....	4	OPERATING THE REMOTE CONTROL/WALL CONTROL.....	11
ELECTRICAL CONNECTIONS.....	5	CARE OF YOUR FAN.....	12
FINISHING THE INSTALLATION.....	6	TROUBLESHOOTING.....	13
ATTACHING THE FAN BLADES.....	7	SPECIFICATIONS.....	14



1151 W. Bradford Court, Corona, CA 92882 • For Customer Assistance Call: 1-800-307-3267



# 1

## ***SAFETY RULES***

1. Before you begin installing the fan, shut power off at the circuit breaker of the fuse box.
2. Be cautious! Read all instructions and safety information before installing your new fan. Review accompanying assembly diagrams.
3. Make sure that all electrical connections comply with local codes, ordinances, or National Electrical Codes. Hire a qualified electrician or consult a do-it-yourself wiring handbook if you are unfamiliar with installing electrical wiring.
4. Make sure the installation site you choose allows the fan blades to rotate without any obstructions. Allow a minimum clearance of 7 feet from the floor and 18 inches from the tip of the blades to the wall.
5. If you are mounting the fan to a ceiling fan outlet box, use a U.L. Listed metal octagonal outlet box marked "Acceptable for Fan Support". Secure the box directly to the building structure. The outlet box and its support must be able to support the moving weight of the fan (at least 50 pounds) Do not use a plastic box.
6. Caution: To reduce the risk of injury use only the screws provided with the outlet box in conjunction with the lock washers provided with the fan.
7. If you are mounting the fan to a joist, make sure it is able to support the moving weight of the fan (at least 50 pounds).
8. After you install the fan, make sure that all mounting components are secured to prevent the fan from falling.
9. Do not insert anything into the fan blades while the fan is operating.
10. Turn the fan off and wait for the blades to stop completely before proceeding with maintenance or cleaning.

**SUITABLE FOR USE IN  
WET LOCATIONS**

**ATTENTION:** The Energy Policy Act of 2005 requires this fan to be equipped with a wattage limiting device. If lamping exceeds 75 watts, the ceiling fan's light kit will shut off automatically.

**NOTE:** The important safeguards and instructions appearing in this manual are not meant to cover all possible conditions and situations that may occur. It must be understood that common sense, caution and care are factors which can not be built into this product. These factors must be supplied by the person (s) installing, caring for and operating the unit.

**NOTE: READ AND SAVE ALL INSTRUCTIONS!**

## **WARNING**

**TO REDUCE THE RISK OF FIRE, ELECTRIC SHOCK OR OTHER PERSONAL INJURY, MOUNT FAN ONLY TO A U.L. LISTED OUTLET BOX OR SUPPORTING SYSTEM MARKED ACCEPTABLE FOR FAN SUPPORT AND USE MOUNTING SCREWS PROVIDED WITH THE OUTLET BOX IN CONJUNCTION WITH THE LOCK WASHERS PROVIDED WITH THE FAN. MOST OUTLET BOXES COMMONLY USED FOR FAN SUPPORT OF LIGHTING FIXTURES ARE NOT ACCEPTABLE FOR FAN SUPPORT AND NEED TO BE REPLACED. CONSULT A QUALIFIED ELECTRICIAN IF IN DOUBT.**

**TO REDUCE THE RISK OF PERSONAL INJURY, DO NOT BEND THE BLADE HOLDERS WHILE INSTALLING, BALANCING THE BLADES OR CLEANING THE FAN. DO NOT INSERT FOREIGN OBJECTS BETWEEN ROTATING FAN BLADES.**

**TO REDUCE THE RISK OF FIRE OR ELECTRONIC SHOCK, THIS FAN ONLY CAN USE CFR-3T SOLID-STATE SPEED CONTROL WITH TR111A WALL CONTROL ONLY.**

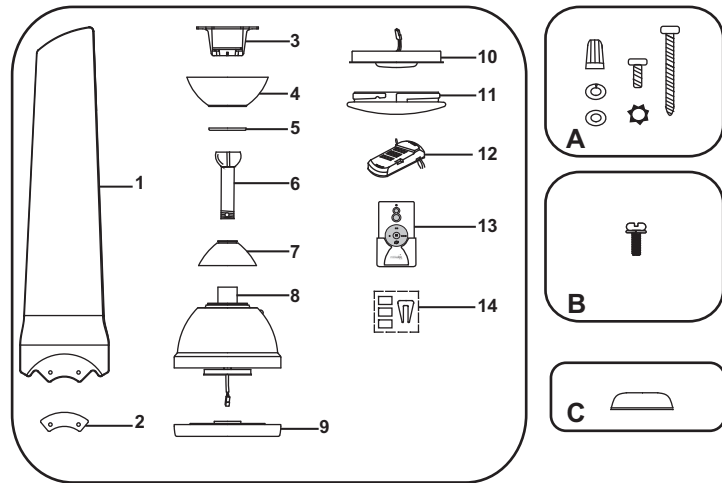
# 2

## PACKAGE CONTENTS

Unpack your fan and check the contents. You should have the following items:

1. Fan blades (3)
2. Blade support plates (3)
3. Hanger bracket
4. Canopy
5. Canopy cover
6. Downrod assembly
7. Coupling cover
8. Fan motor/housing assembly
9. Mounting plate
10. LED Light plate
11. Glass shade
12. Receiver (includes 6 wire nuts)
13. Hand held remote with 2 Screws
14. Balancing kit

- A. Mounting hardware:  
#10 x 1.5 Wood screws (2 PCs.)  
#8 x 3/4" Machine screws (2PCs.)  
Lock washers (2 PCs.)  
4mm Star washers (2 PCs.)  
Wire nuts (3 PCs.)  
Washers (2 PCs.)
- B. Blade attachment hardware:  
1/4" x 19 mm Screws with lock washers (7 PCs.)
- C. Downrod Rubber Cover





Tools Required: Phillips screw driver; slotted screw driver; step-ladder; wire cutters; electrical tape.

## INSTALLING THE FAN

### MOUNTING OPTIONS

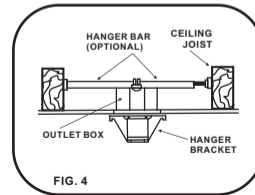
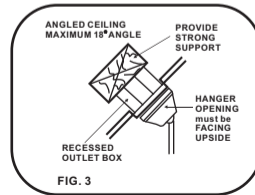
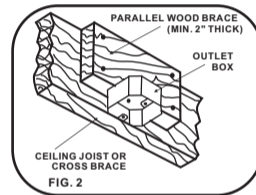
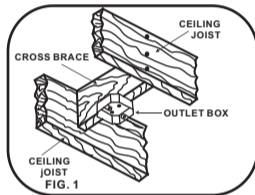
If there isn't an existing mounting box, then read the following instructions. Disconnect the power by removing fuses or turning off circuit breakers.

Secure the outlet box directly to the building structure. Use appropriate fasteners and building materials. The outlet box and its support must be able to fully support the moving weight of the fan (at least 50 lbs.). Use a UL Listed metal outlet box. Do not use a plastic outlet box.

Figure 1, 2 and 3 are examples of different ways to mount the outlet box.

Note: You may need a longer downrod to maintain proper blade clearance when installing on a steep, sloped ceiling. Longer downrods are available from your Minka-Aire® dealer.

To hang your fan where there is an existing fixture but no ceiling joist, you may need to install a hanger bar as shown in Fig. 4 (available at your Minka-Aire® dealer).



# 4

## ***HANGING THE FAN***

**WARNING:** All of the parts, hardware and components such as the hanger bracket and hanger ball have been provided for your safety and the proper installation of your new ceiling fan. The use of other parts, hardware or components not supplied by Minka Aire® with the fan will void the Minka Aire® Warranty.

**REMEMBER** to turn off the power. Follow the steps below to hang your fan properly:

**Step 1.** Secure the Hanger Bracket to the ceiling outlet box using the screws provided with your outlet box in conjunction with the lock-washers provided with the fan. (Fig. 5)

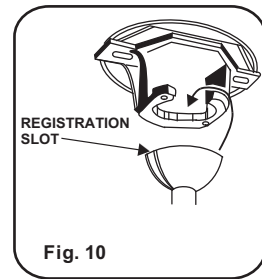
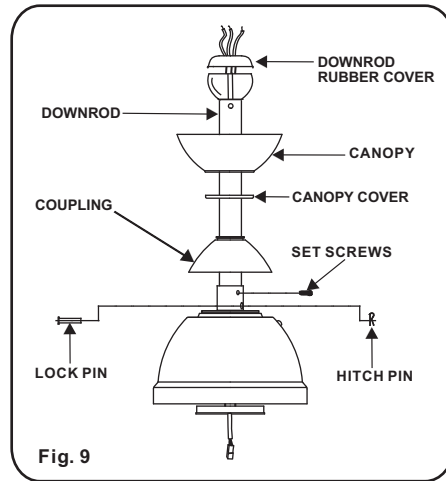
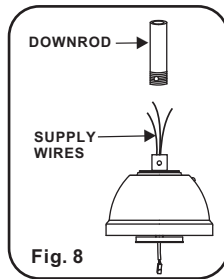
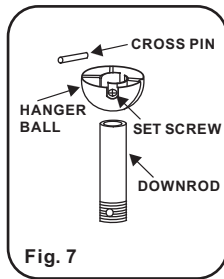
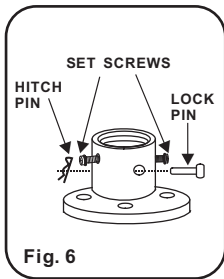
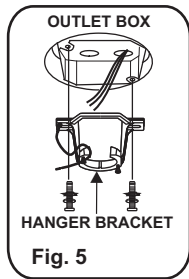
**Step 2.** Loosen the two Set Screws and remove the Hitch Pin and Lock Pin from the coupling located on the top of the Motor Assembly. (Fig. 6)

**Step 3.** Remove the Hanger Ball from the Downrod Assembly by loosening the Set Screw and removing the Cross Pin. (Fig. 7)

**Step 4.** Carefully feed fan wires up through the downrod. (Fig. 8) Thread Downrod into the Coupling until the holes are lined up and secure with the Lock Pin and Hitch Pin previously removed, tighten Set Screws. (Fig. 9)

**Step 5.** Slip Coupling Cover, Canopy Cover and Canopy onto Downrod. Carefully re-install the Hanger Ball onto the Downrod being sure that it's properly positioned over the Cross Pin and the wires are not twisted, tighten Set Screw. Place downrod rubber cover onto the hanger ball, (Fig. 9)

**Step 6.** Lift the Motor Assembly and place the Hanger Ball into the Hanger Bracket. Rotate the Motor Assembly as needed until the check groove from the Hanger Ball rests firmly over the registration tab from the Hanger Bracket. Motor Assembly should not rotate if this is done correctly. (Fig. 10)



# 5

## ***ELECTRICAL CONNECTIONS***

**WARNING:** To avoid possible electrical shock be sure electricity is turned off at the main fuse or breaker box before wiring.

**NOTE:** The Aire Control® System is equipped with a learning frequency function which has 256 code combinations to prevent potential interference from other remote units. The frequency on your Receiver and Transmitter units have been preset at the factory. (Fig. 11) No frequency change is necessary, should you desire to install another fan within the same home or area with a separate frequency code please see the "frequency interference" troubleshooting section of this instruction manual to learn how to change the frequency.

**Step 1.** Insert Receiver into Hanger Bracket with the flat side of the Receiver facing the ceiling. (Fig. 12)

**Step 2. Motor to Receiver Electrical Connections:** Connect the **WHITE** wire from the fan to the **WHITE** wire marked "TO MOTOR N" from the Receiver. Connect the **BLACK** wire from the fan to the **BLACK** wire marked "TO MOTOR L" from the Receiver. Connect the **BLUE** wire from the fan to the **BLUE** wire marked "For Light" from the Receiver.

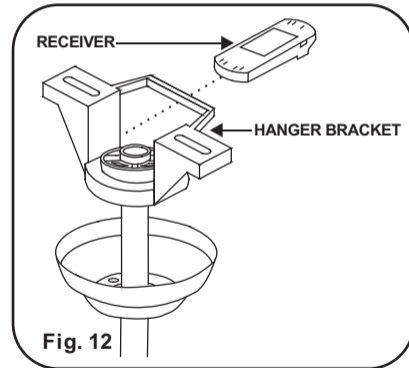
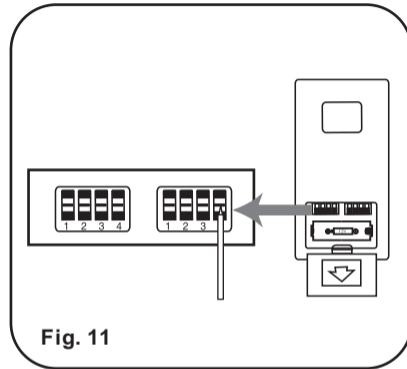
**NOTE:** If your ceiling fan features an UP Light: Connect the **ORANGE** wire from the fan to the **ORANGE** wire marked "For Up Light" from the Receiver. Otherwise disregard this step and proceed to secure all wire connections with the plastic wire nuts provided. (Fig. 13)

**Note:** Fan must be installed from a maximum distance of 40 feet from the transmitting unit for proper signal transmission between the transmitting unit and the fan's receiving unit.

**Step 3. Receiver to House Supply Wires Electrical Connections:** Connect the **WHITE** wire (Neutral) from the outlet box to the **WHITE** wire marked "AC in N" from the receiver. Connect the **BLACK** wire (Hot) from the outlet box to the **BLACK** wire marked "AC in L" from the receiver. Secure all wire connections with the plastic wire nuts provided. (Fig. 13)

**Step 4.** If your outlet box has a **GROUND** wire (Green or Bare Copper) connect this wire to the Hanger Ball and Hanger Bracket Ground wires. If your outlet box does not have a Ground Wire, then connect the Hanger Ball and Hanger Bracket Ground Wires together. Secure wire connection with the plastic wire nut provided. (Fig. 13)

After all splices are made, check to make sure there are no loose strands. As an additional precaution we suggest to secure the plastic wire connectors to the wires with electrical tape.



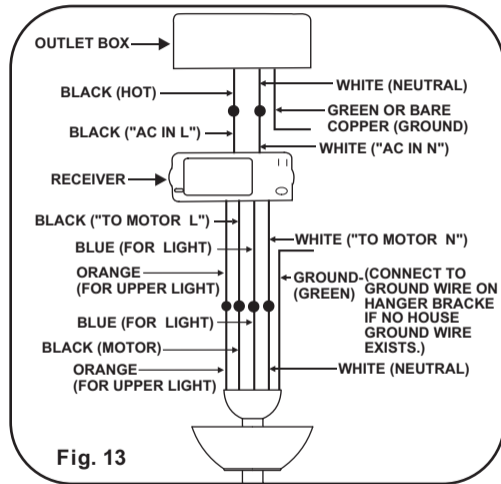


Fig. 13

## FINISHING THE INSTALLATION

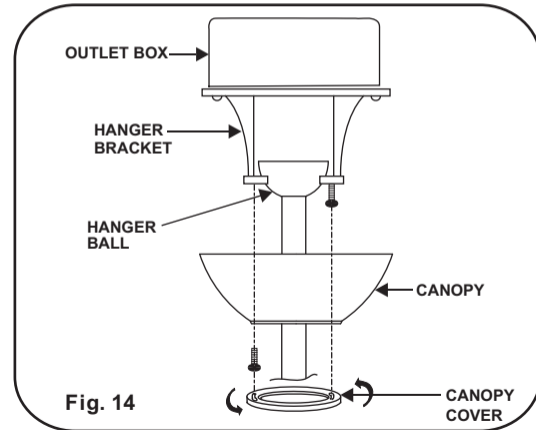
6

Step 1. Remove 1 of the 2 screws from the bottom of the hanger bracket and loosen the other one half a turn from the screw head.

Step 2. Slide the canopy up towards the hanger bracket and place the key hole on the canopy over the screw on the hanger bracket, turn canopy until it locks in place at the narrow section of the key holes. (Fig. 14)

Step 3. Align the circular hole on canopy with the remaining hole on the hanger bracket, secure by tightening the two set screws.

Note: Adjust the canopy screws as necessary until the canopy and canopy cover are snug.

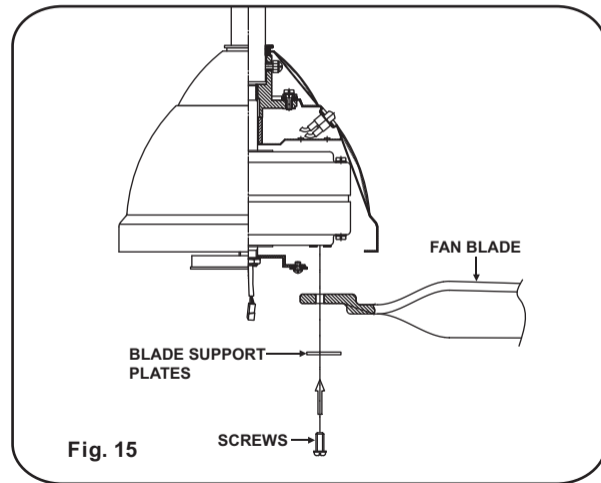


7

## *ATTACHING THE FAN BLADES*

**CAUTION:** Remove the rubber packing mounts and discard before installation.

Insert one fan blade into the blade slot on the motor housing and secure with the blade support plates and screws. Securely tighten screws. Repeat process with other blades. (Fig. 15)



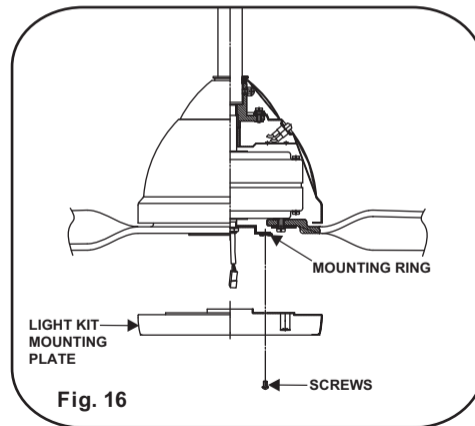


## ***INSTALLING THE MOUNTING PLATE***

8

Step 1. Remove 1 of 3 screws from the mounting ring and loosen the other 2 screws. (Do not remove)

Step 2. Place the key holes from the mounting plate over the 2 screws previously loosened from the mounting ring, turn mounting plate until it locks in place at the narrow section of the key holes. Secure by tightening the 2 screws previously loosened and the one previously removed. (Fig. 16)



**Fig. 16**

9

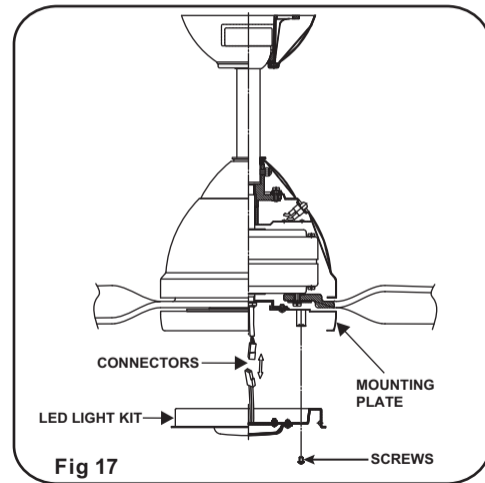
## ***INSTALLING THE LED LIGHT KIT***

**NOTE:** Before starting installation, make sure power is turned off at the circuit breaker.

**Step 1.** While holding the LED light kit under the fan motor assembly, make the 2-pin wire connections:

- Red to white
- Black to black

**Step 2.** Carefully push all wires back into the mounting plate. Installing the LED light kit to the mounting plate with the screws provided. (Fig. 17)

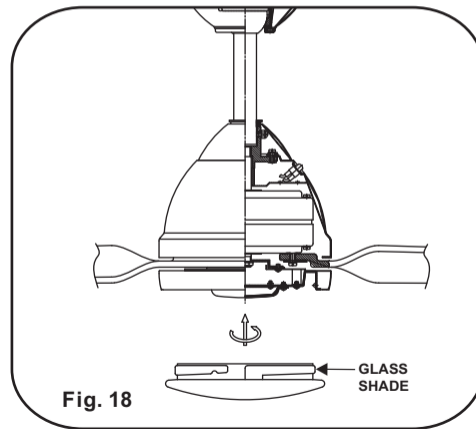


## ***INSTALLING THE GLASS SHADE***

10

**ATTENTION:** The Energy Policy Act of 2005 requires this fan to be equipped with a watt limiting device. If lamping exceeds 75 watts, the ceiling fan's light kit will shut off automatically.

Step 1. Raise the glass shade up against the LED light kit and secure it to the fan by turning glass shade clockwise until snug. **DO NOT OVERTIGHTEN.** (Fig. 18)



## OPERATING THE REMOTE CONTROL/WALL CONTROL

Remote Control only: Install a A23 12 volt battery (included). To prevent damage to transmitter remove the battery if not used for long periods of time.

Restore Power to Ceiling Fan.

A. ● ● ● Buttons:

These buttons are used to set the fan speeds as follows;

● = Low Speed

● ● = Medium Speed




● ● ● = High Speed

B. ■ Button:

This button turns the fan off.

C.  Button:

These buttons turn the light ON or OFF and also control the brightness settings of the light. The following

instructions apply to ceiling fans that feature a DOWN light (  button) only or ceiling fans that feature an UP light (  button) and a DOWN light (  button) that are controlled independent of each other;


Press and release the button for the desired light to turn the light ON or OFF. Press and hold the button to set the desired light brightness. The light will cycle between bright and dim settings as long as the button is pressed. The light key has an automatic auto-resume feature that allows the light to remain at the same brightness as the last time it was turned off.

D. OFF-ON Slide Button (Wall Control Fans Only)

This button turns the power Off and On to the Fan and Light(s).

E.  Button: (Full Function Remote Control Units Only)

This button is used to change the direction of the rotation of the blades; forward for warm weather or reverse for cool weather.

NOTE: If your Remote Control or Wall Control does not have a "  " button, Please look for a slide reverse switch on the motor housing.

Speed settings for warm or cold weather depend on factors such as room size, ceiling height and number of fans.

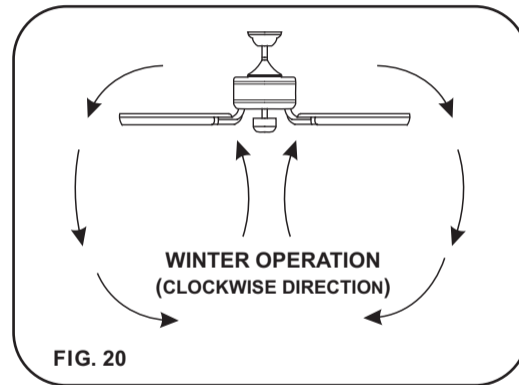
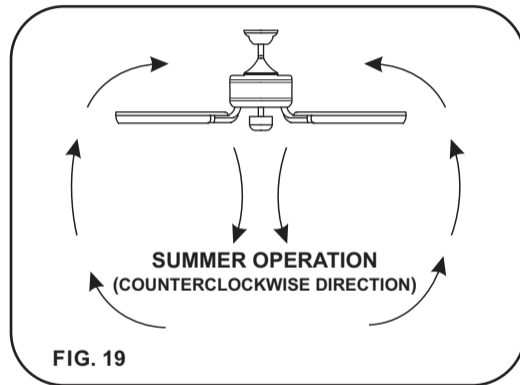
**NOTE:** Wait for the fan to stop before reversing the direction of the blade rotation.

**Warm Weather (forward)**

A **DOWNWARD** airflow creates a cooling effect as shown in Figure 19. This allows you to set your air conditioner on a warmer setting without affecting your comfort.

**Cool Weather (Reverse)**

An **UPWARD** airflow moves warmer air off the ceiling area as shown in Figure 20. This allows you to set your heating unit on a cooler setting without affecting your comfort.



# 12

## *CARE OF YOUR FAN*

Here are some suggestions to help maintain your fan.

1. Because of the fan's natural movement some connections may become loose. Check the support connections, brackets and blade attachments twice a year. Make sure they are secure. (It is not necessary to remove fan from the ceiling).
2. Clean your fan periodically to help maintain its new appearance over the years. Use only a soft brush or lint free cloth to avoid scratching the finish. Plated finishes are sealed with lacquer to minimize discoloration or tarnishing. Do not use water when cleaning, this could damage the motor, wood blades or possibly cause an electrical shock.
3. If your fan is provided with wood veneer blades; you can apply a light coat of furniture polish for additional protection and enhanced beauty. Cover small scratches with a light application of shoe polish.

4. Use a lint free lightly damp cloth or duster to remove dust from the blades.

5. There is no need to oil your fan. The motor has permanently lubricated bearings.

6. If your fan is provided with glass shades, clean with lukewarm soapy water and a soft cloth or sponge. **DO NOT IMMERSE GLASS SHADES IN HOT WATER. DO NOT PUT GLASS SHADES INTO AN AUTOMATIC DISHWASHER.**

### **WARNING!**

**MAKE SURE THE POWER IS OFF AT THE ELECTRICAL PANEL BOX BEFORE YOU ATTEMPT ANY REPAIRS. REFER TO THE SECTION, "ELECTRICAL CONNECTIONS".**

#### SYMPTOM

Fan will not start

#### SOLUTION

- Check to make sure the wall switch is turned on.
- Check circuit fuses or breakers.
- Caution! Make sure the power is turned off before performing the following steps.
- Remove canopy and check wire connections.
- Check wall control transmitter connections (if applicable).
- Note: Fan must be installed at a maximum distance of 40 feet from the transmitting unit for proper signal transmission between the transmitting unit and the fan's receiving unit.

## *TROUBLESHOOTING*

13

#### SYMPTOM

Fan Sounds Noisy

#### SOLUTION

- Allow a 24-hour "break in" period. Most noises associated with a new fan will go away during this time.
- Make sure the screws that attach the fan blade holder to the motor hub is tight.
- Make sure outlet box is secured to building structure, if necessary use the wood screws provided to further secure outlet box to joist.
- Make sure hanger bracket is secure to the outlet box, screws are tight.

**SYMPTOM**  
Fan Wobble

**SOLUTION**

- **NOTE:** All blade sets are grouped by weight. Because wood and plastic blades vary in density, the fan may wobble even though blades are matched.
- Make sure outlet box is secured to building structure, if necessary use the wood screws provided to further secure outlet box to joist.
- Make sure hanger bracket is secure to the outlet box, screws are tight.
- If a Balancing kit is provided follow the instructions included with the balancing kit to help correct any excessive wobble.

**SYMPTOM**  
Lights shut off and will not come back on.

**SOLUTION**

- This unit is equipped with a wattage limiting device. Lamping in excess of 75 watts will disable your ceiling fan's light kit. To reset your light kit you must turn the power off and re lamp, keeping the wattage under 75 watts. Restore power to your ceiling fan and continue normal operation.

**SYMPTOM**  
Fans/Light Turn On and Off Unexpectedly

**SOLUTION**

- This is caused by interference, Please see "Frequency interference" for steps to change the frequency.



## SYMPTOM

Frequency Interference

## SOLUTION

1. Turn the power off to your ceiling fan.
2. Please use a small size tool to change the frequency settings on the control system.
3. Return power to the unit.  
Note: After the AC power is on, do not press any other button on the transmitter before pressing the "Stop" button, doing so will cause the procedure to fail.
4. Within 60 seconds of turning the Fan's AC power ON. Press the transmitter's "Stop" button and hold the "Stop" button for 10 seconds.
5. Once the receiver has detected the set frequency, the down light of your fan if applicable will blink twice. (there is no indication if your fan is not equipped with a light).
6. The receiver has now learn the frequency which has been selected on the transmitter. After completing the steps above, you should be able to operate the ceiling fan and light. If the fan is not responding to the transmitter, please turn the power off to the receiver, and repeat the process.

## 14

***SPECIFICATIONS***

These are typical readings. Your actual fan may vary. They do not include amps and wattage used by the light(s).

Fan Size	Speed	Volts	Amps	Watts	RPM	N.W.	G.W.	C.F.
54"	Low	120	0.218	14.46	79	7.81	9.11	1.68'
	High	120	0.391	46.90	156	Kgs	Kgs	

## PERFORMANCE AND ENERGY INFORMATION

# ENERGYGUIDE

Estimated  
Yearly Energy Cost  
**\$9**

**\$3** | | | **\$34**

Cost Range of Similar Models (19" – 84")

- Based on 12 cents per kWh and 6.4 hours use per day
- Your cost depends on rates and use
- Energy Use: 34 Watts

All estimates based on typical use, excluding lights

Airflow

**4,394**

Cubic Feet Per Minute

- The higher the airflow, the more air the fan will move
- Airflow Efficiency: 131 Cubic Feet Per Minute Per Watt

[ftc.gov/energy](http://ftc.gov/energy)

FAN SPEED	AIRFLOW (CFM)*	POWER USE (Watts)	AIRFLOW EFFICIENCY (CFM/Watt)
Low	2898	14.46	200
High	5846	46.90	125

**Ceiling fan airflow is measured in cubic feet per minute (CFM).  
Power use is measured in watts. To maximize energy savings:**

- Choose a fan with high airflow efficiency (CFM/watt).
- Use ENERGY STAR® rated bulbs in your fan.
- Switch off your fan when you leave the room.

\* Measure according to the DOE approved test method.

*For any additional information about your Minka Aire® Ceiling fan, please write to:*



1151 W. Bradford Court, Corona, CA 92882

For Customer Assistance Call: 1-800-307-3267