

# Home Care Technical Specification

R8900P

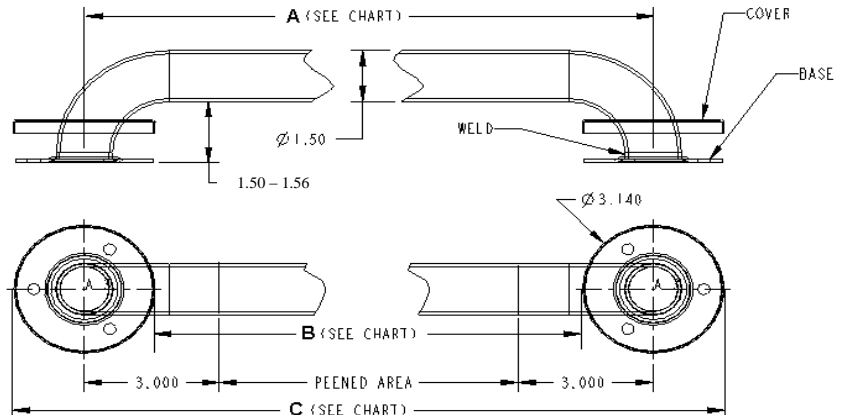
## 1 1/2" Peened Grab Bar – Concealed Screw

LR8900P

### Stock Numbers:

- ❑ **R8912P – 12" Grab Bar**  
Stainless Steel Peened Finish  
Concealed Screw Mounting  
1 1/2" Diameter Bar
- ❑ **R8916P, LR8916P – 16" Grab Bar**  
Stainless Steel Peened Finish  
Concealed Screw Mounting  
1 1/2" Diameter Bar
- ❑ **R8918P, LR8918P – 18" Grab Bar**  
Stainless Steel Peened Finish  
Concealed Screw Mounting  
1 1/2" Diameter Bar
- ❑ **R8924P, LR8924P – 24" Grab Bar**  
Stainless Steel Peened Finish  
Concealed Screw Mounting  
1 1/2" Diameter Bar
- ❑ **R8930P – 30" Grab Bar**  
Stainless Steel Peened Finish  
Concealed Screw Mounting  
1 1/2" Diameter Bar
- ❑ **R8932P, LR8932P – 32" Grab Bar**  
Stainless Steel Peened Finish  
Concealed Screw Mounting  
1 1/2" Diameter Bar
- ❑ **R8936P, LR8936P – 36" Grab Bar**  
Stainless Steel Peened Finish  
Concealed Screw Mounting  
1 1/2" Diameter Bar
- ❑ **R8942P, LR8942P – 42" Grab Bar**  
Stainless Steel Peened Finish  
Concealed Screw Mounting  
1 1/2" Diameter Bar
- ❑ **R8948P – 48" Grab Bar**  
Stainless Steel Peened Finish  
Concealed Screw Mounting  
1 1/2" Diameter Bar

### Dimensions:



	A	B	C
R8912P	12"	8.75	15.25
R8916P	16"	12.75	19.25
R8918P	18"	14.75	21.25
R8924P	24"	20.75	27.25
R8930P	30"	26.75	33.25
R8932P	32"	28.75	35.25
R8936P	36"	32.75	39.25
R8942P	42"	38.75	45.25
R8948P	48"	44.75	51.25

### Materials:

1 1/2" Peened Grab Bar rods are formed from 20-gauge type-304 stainless steel tubing with a satin finish.  
12-42" length is 20 gauge  
48" length is 18 gauge

### Compliance:

- ADA, ANSI, ASTM, CSA
- Tested to 500 lbs. pull

### Installation Instructions:

1. Position unit on wall in desired location.
2. Mark mounting holes.
3. Drill starter holes.
4. Mount unit on wall using 2" screws (provided).
5. Snap flange covers into place.

Note: SecureMount Anchors are recommended for use in non-stud (hollow-wall) applications per installation instructions.

**Stock Number:** \_\_\_\_\_ Grab Bar  
By Creative Specialties



25300 AL MOEN DRIVE • NORTH OLMSTED, OH 44070  
CORPORATE HEADQUARTERS: (800) 321-8809 • FAX: (800) 848-6636  
INTERNATIONAL: (440) 962-2000 • FAX: (440) 962-2726  
CUSTOMER SERVICE (USA): 800-882-0116 • FAX: (888) 379-2720  
WWW.MOEN.COM

©Copyright Creative Specialties International

Literature #BA1677