

DESCRIPTION

- Metal construction with various finishes identifiable by suffix
- Includes showerhead, arm, flange and diverter tub spout

OPERATION

- Lever style handle with red/blue temperature indicator on the escutcheon
- Handle operates counterclockwise through a 270° arc with off at 6 o'clock and maximum hot at the 9 o'clock position. Shut off in clockwise direction
- Adjustable temperature limit stop to control maximum hot water temperature
- Pressure balancing mechanism maintains selected discharge temperature to $\pm 3^\circ$


FLOW

- EP suffix models are limited to 1.75 gpm (6.6 L/min) at 80 psi
- NH suffix models contain no showerhead

CARTRIDGE

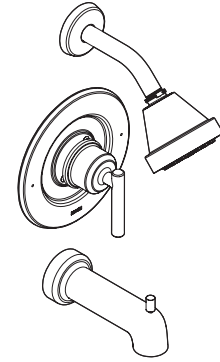
- 1222 cartridge design
- Accommodates back to back installations
- Nonmetallic, nonferrous and stainless steel material

STANDARDS

- Third party certified to meet ASME A112.18.1/CSA B125.1 and all applicable requirements referenced therein
- EP suffix models are third party certified to WaterSense®
- ADA  for lever handle

WARRANTY

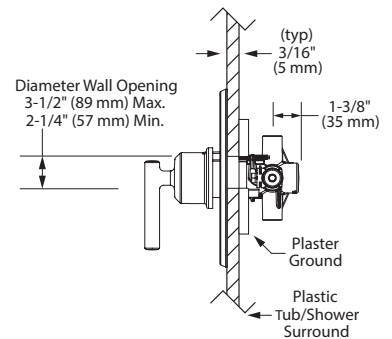
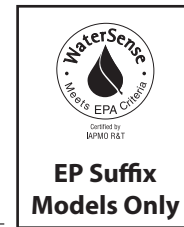
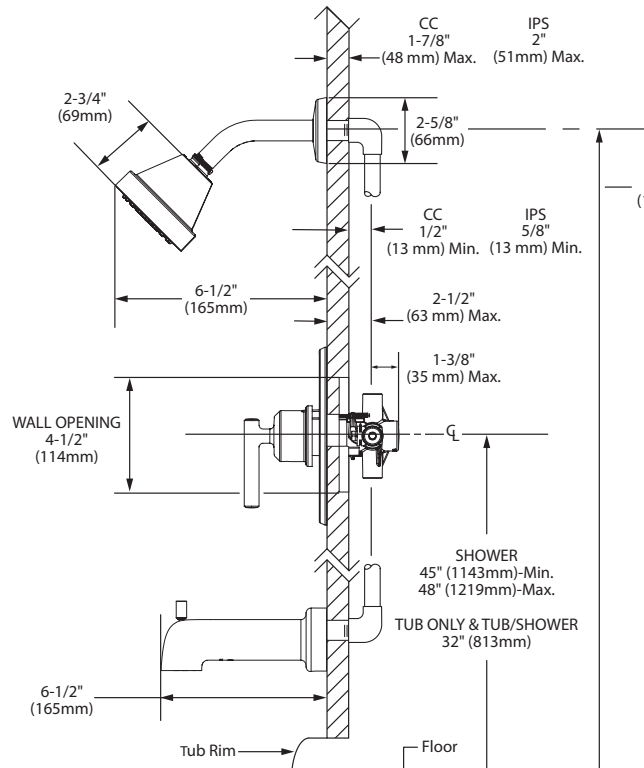
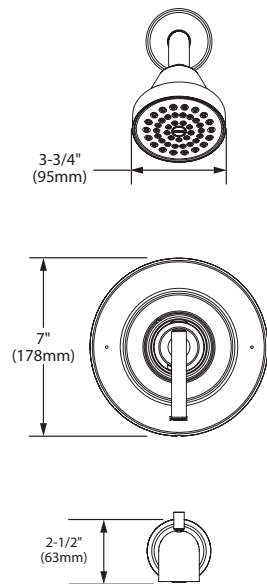
- Lifetime limited warranty against leaks, drips and finish defects to the original homeowner
 - 10 year limited warranty when used in a multifamily installation
 - 5 year limited warranty when used in a commercial installation
- Visit www.moen.com/support for complete details and limitations



Gibson™ Single-Handle Tub/Shower Trim Kit

Models: T2901 series - valve trim only
T2902 series - shower trim only
T2903 series - tub/shower trim

Valves: 62300 series
2500 series



THICK WALL APPLICATION

THIN WALL APPLICATION



CRITICAL DIMENSIONS

(DO NOT SCALE)