



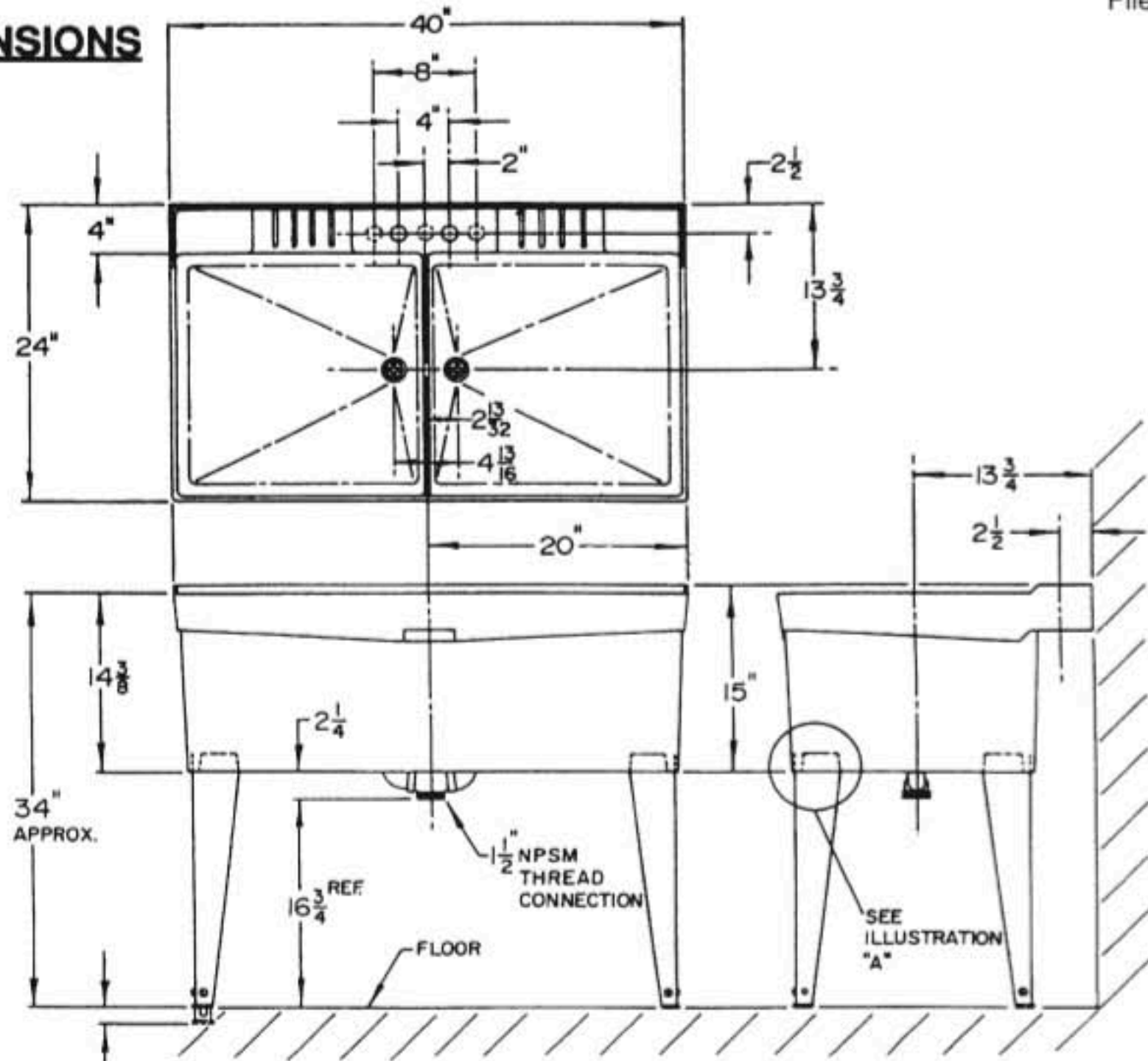
MUSTEE
DOUBLE COMPARTMENT
LAUNDRY TRAY - FLOOR MOUNTED

MODEL 26F



Listed
File No. 820

ROUGH-IN DIMENSIONS



1. Turn **Laundry Tray** (1) upside down on a clean smooth surface, insert Leg (2) into corner socket – using a block of wood or similar pad to protect the end of the leg, strike the pad firmly with a hammer to lock leg securely into tapered socket. Repeat procedure for the remaining three legs. To determine if legs are properly seated into the corner sockets, the gap should be no greater than 1/8". See Illustration "A".
2. Attach Leveler (3) to each leg using Leveler Screw (4) and Leveler Nut (5). Do not tighten fully until **Laundry Tray** is placed in desired location, at that time, adjust level and tighten screws securely. Holes are provided in each leveler base if anchoring to floor is desired. Anchors are not furnished.
3. Insert Strainers (8) into drain holes of **Laundry Tray**, install Sealing Washers (7) on underside of tray and screw strainers into Twin Waste Drain Assembly (6) and tighten in place. See illustration "B". **DO NOT** use any putty or thread sealant on strainers or threaded areas of drain fitting. Teflon sealing tape is acceptable.
4. Mount faucets (not furnished) to rear ledge – which has 2 – 1" diameter holes in 4" centers. **Laundry Tray** will also accept single lever or 8" center set faucets, for which mounting holes will have to be drilled. Underside of ledge is marked to show these alternative mounting hole locations. If a faucet block is required for a "top feed" faucet, PN20.600 Molded Faucet Block is available.
5. With **Laundry Tray** in desired location make final water supply and sanitary drain connections in full compliance with local code requirements.

Numbers in parenthesis () refer to Key Numbers in Parts List

E.L. MUSTEE & SONS, INC.

5431 West 164th Street • Brook Park, Ohio 44142

SI-160 (6•06)

MODEL 26F

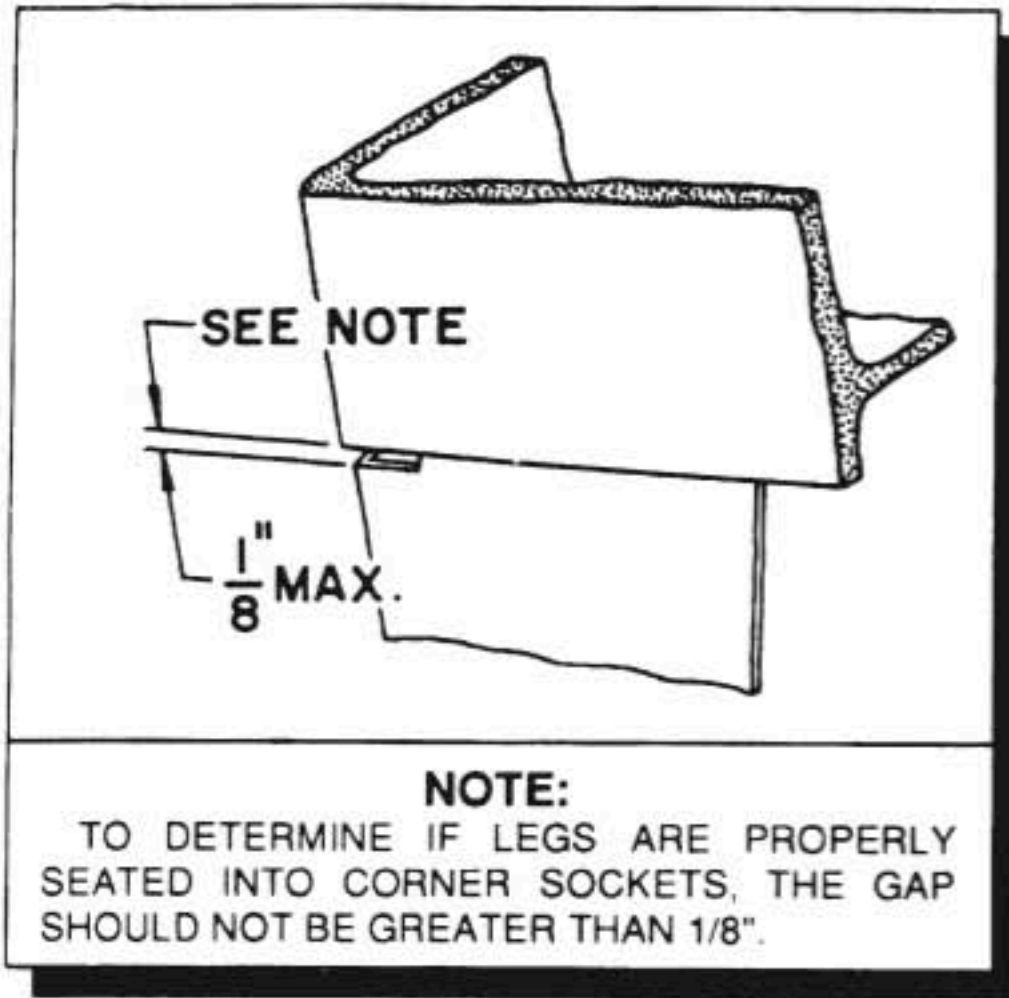


ILLUSTRATION "A"

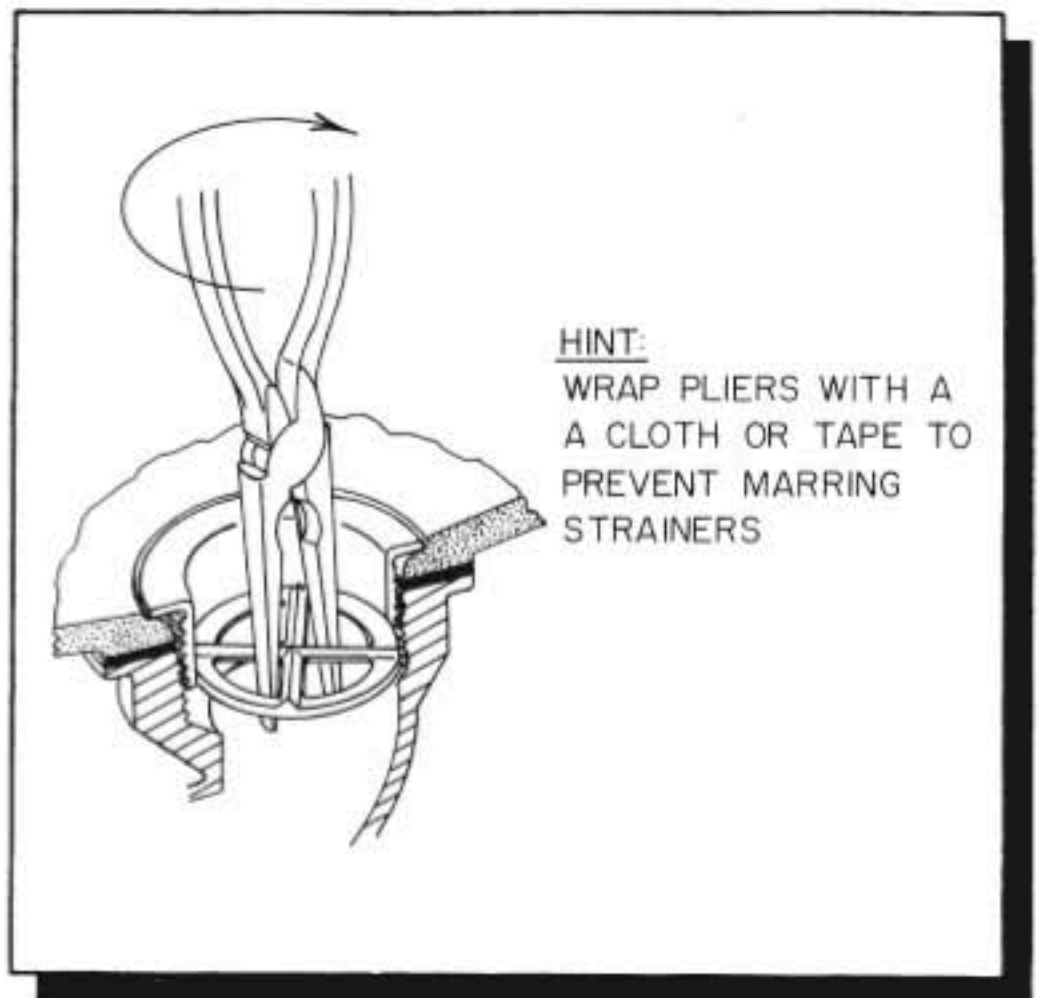
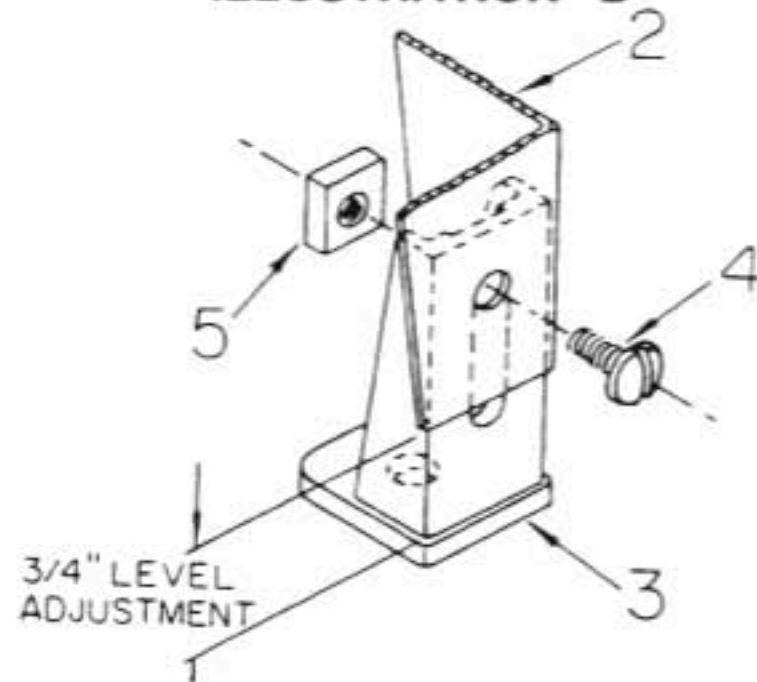
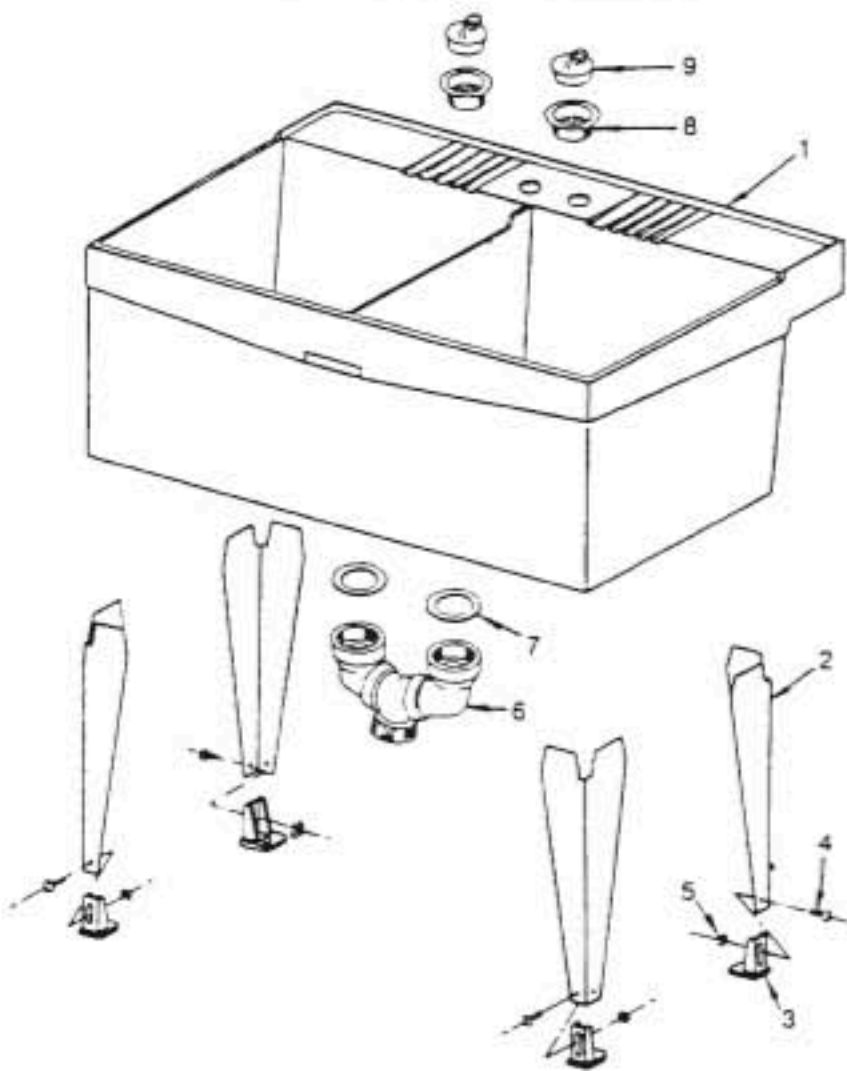


ILLUSTRATION "B"

PARTS ILLUSTRATION



Cleaning Note:

Most stains that you may acquire in your **Model 26F Laundry Tray** may be removed with common household cleanser or liquid cleaner, stubborn stains may be removed with a bleach solution – follow bleach manufacturers recommended procedures pertaining to safety, handling and use of their product.

KEY NO.	PART NO.	DESCRIPTION
1	26.102	Double Compartment Laundry Tray
2	18.301	Leg (4 Required)
3	18.305	Leveler (4 Required)
4	17.801	Leveler Screw – 1/4" - 20 x 1/2" (4 Required)
5	91.801	Leveler Nut – 1/4"-20 (4 Required)
6	23.301	Twin Waste Drain Assembly
7	27.306	Sealing Washer (2 Required)
8	27.303	Strainer (2 Required)
9	23.303	Stopper – 1 1/2" Dia. (2 Required)
10	91.702	1 1/2" Tailpiece Washer (Not Shown)
11	91.703	1 1/2" Thrd. Slip Nut (Not Shown)

THIS SHEET IS AN ASSEMBLY AID, NOT A PACKING LIST

E.L. MUSTEE & SONS, INC.

5431 West 164th Street • Brook Park, Ohio 44142

SI-160 (6-06)

MUSTEE
 DOUBLE COMPARTMENT
 LAUNDRY TRAY - WALL MOUNTED

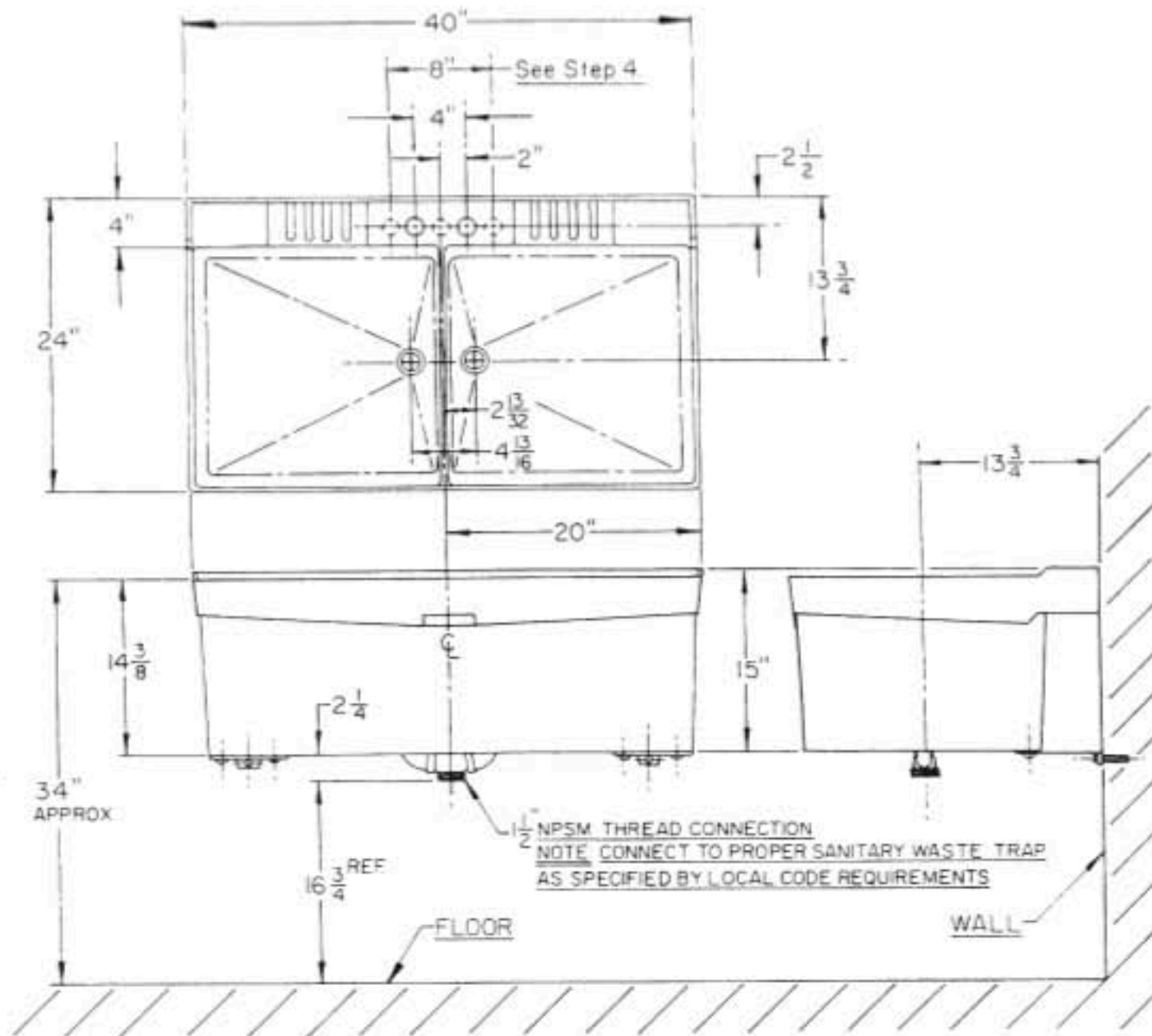
MODEL 26W
MODEL 27W

IAPMO® LISTED
 FILE NO. 820

IAPMO® LISTED
 FILE NO. 0635



ROUGH-IN DIMENSIONS:



1. Mount Wall Plate (2) at the recommended height shown in Figure 1.

Note: Holes in Wall Plate are positioned to align with studs on 16" center when the center hole of the Wall Plate is located in the middle of a 2" x 4" wall stud. If studs are not evenly spaced, use the 2" x 6" braces as required to mount Wall Plate securely. With top edge of plate level, mark and drill 3/16" diameter holes into studs or braces as required. See Figure 2. (If mounting into cement or concrete, drill holes for five [5] Anchors (10) as shown in Figure 3.) Mount Wall Plate using the Lag Screws (11) supplied. Re-check top edge of plate for level before tightening bolts. Be sure top edge of plate is straight regardless of wall contour; if not, shim as required to obtain this condition.

Cleaning Note:

Most stains that you may acquire in your **Model 26W/27W Laundry Tray** may be removed with common household cleanser or liquid cleaner. Stubborn stains may be removed with a bleach solution—follow bleach manufacturers recommended procedures pertaining to safety, handling and use of their product.

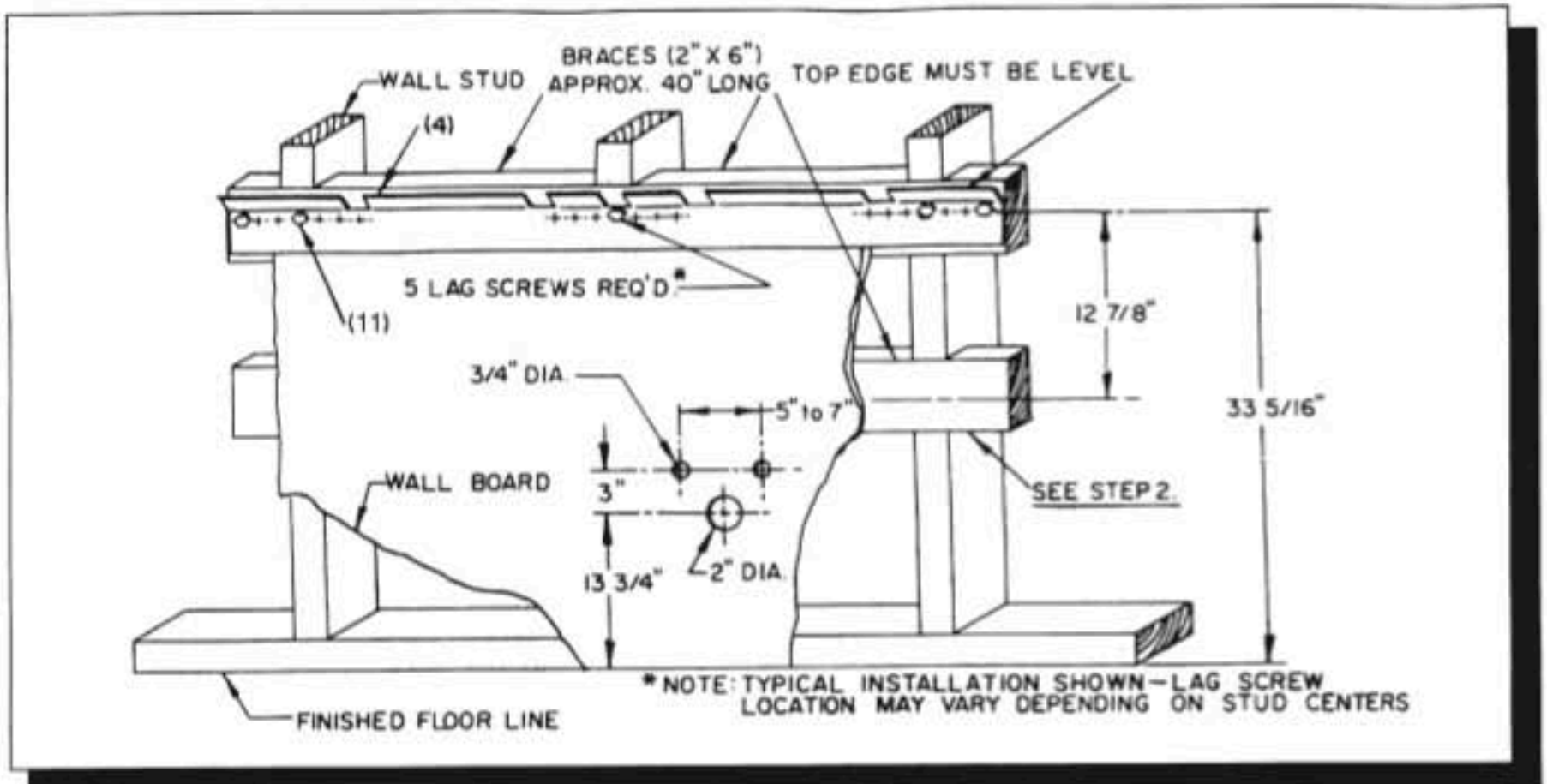


FIGURE 1.

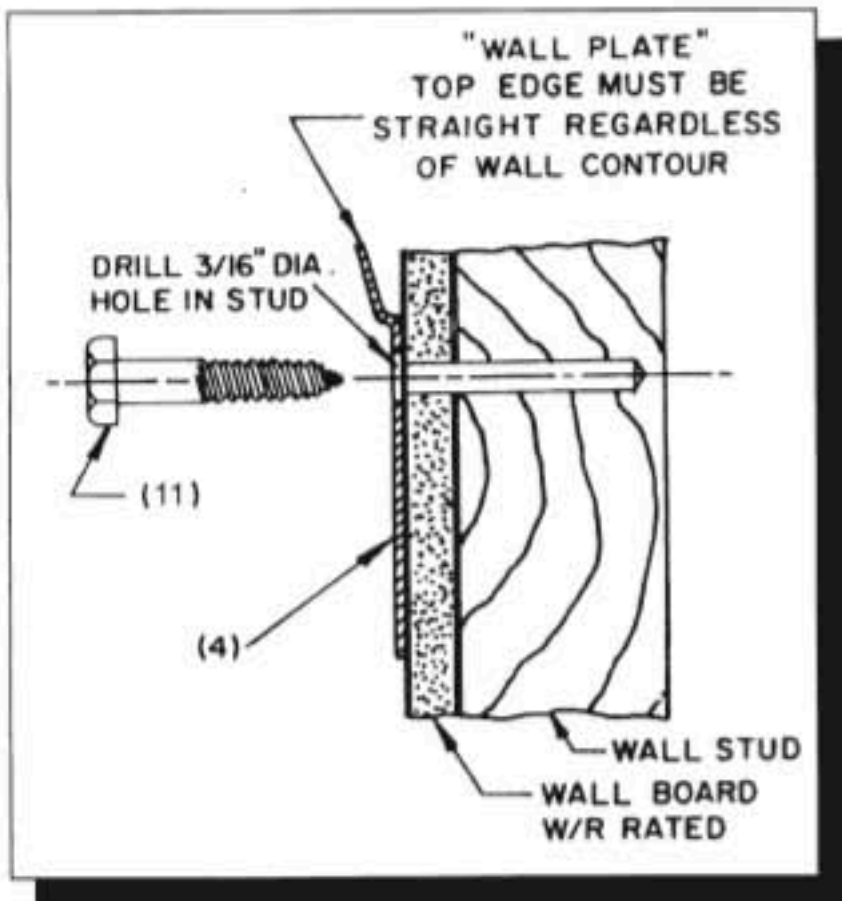


FIGURE 2.

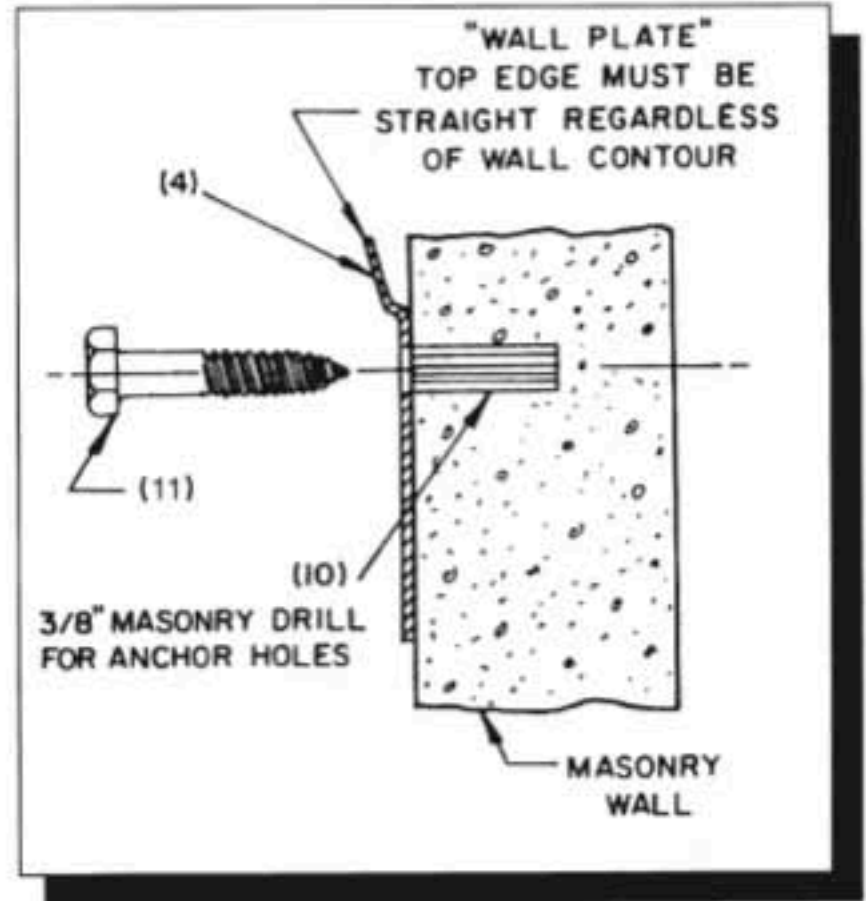


FIGURE 3.

- Place **Laundry Tray** (1) on wall plate, mark location of Molded Side Filler (2) & (3) mounting tab holes. Remove **Laundry Tray** and follow drilling / anchoring procedures as outlined in Step 1. See Figure 1.

3. Insert Strainers (8) into drain holes of **Laundry Tray**, install Sealing Washers on underside of tray (7) and screw strainers into Twin Waste Drain Assembly (6), tighten in place. See Figure 4. **DO NOT** use any putty or thread sealant on strainers or threaded areas of drain fitting. Teflon sealing tape (not furnished) is acceptable.

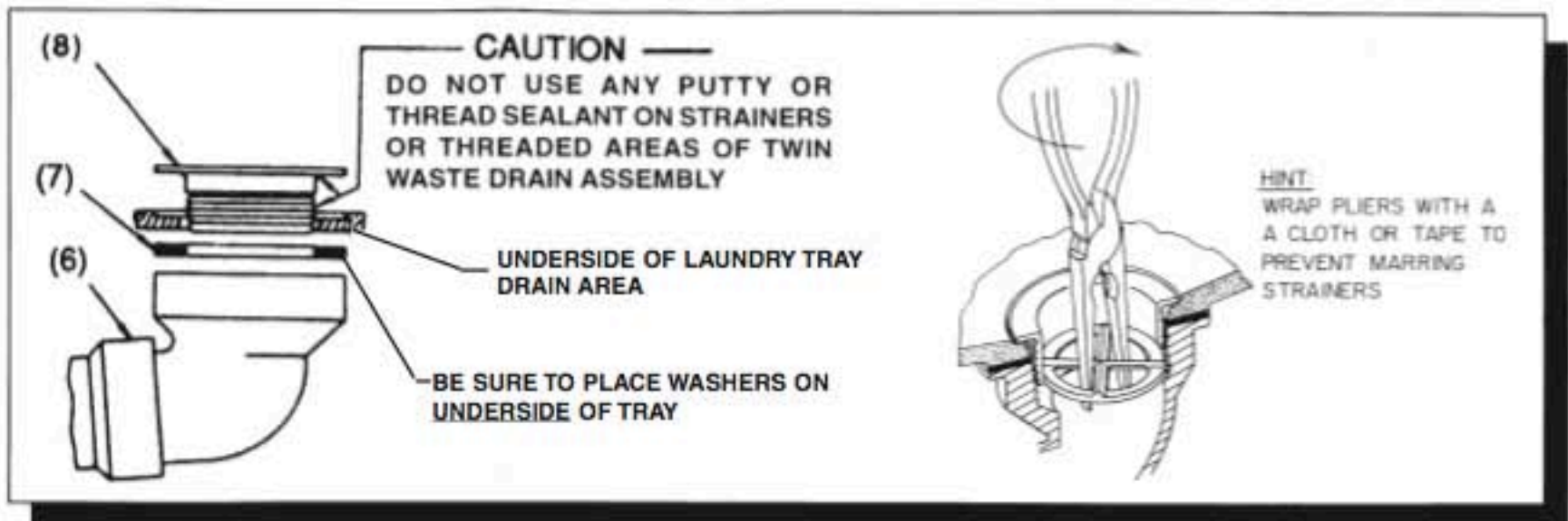


FIGURE 4.

4. Mount faucet (not furnished) to rear ledge, which has two 1" (inch) diameter holes on 4" (inch) centers. **Laundry Tray** will also accept single lever or 8" (inch) Center Set faucet, for which mounting holes will have to be drilled. Under side of ledge is marked to show these alternate mounting hole locations. If a faucet block is required for a "top feed" faucet, PN 20.600 Molded Faucet Block is available.
5. Re-hang **Laundry Tray** on wall plate, be sure to use the 5/16" Diameter Flat Washers (12) under the heads of the 5/16" Lag Screws when anchoring the molded side fillers. The washer will keep the lag screws from digging into and possibly damaging the molded side filler tab.
6. Make final water supply and sanitary drain connections in full compliance with local requirements

Numbers in () parenthesis refer to Key Numbers in parts list.

NOTE:

Any type of transfer or sump pump must be supported by the floor or wall plus appropriate bracing for the waste lines. **DO NOT RELY SOLELY ON THE 1 1/2" MOLDED DRAIN THREAD CONNECTION.**

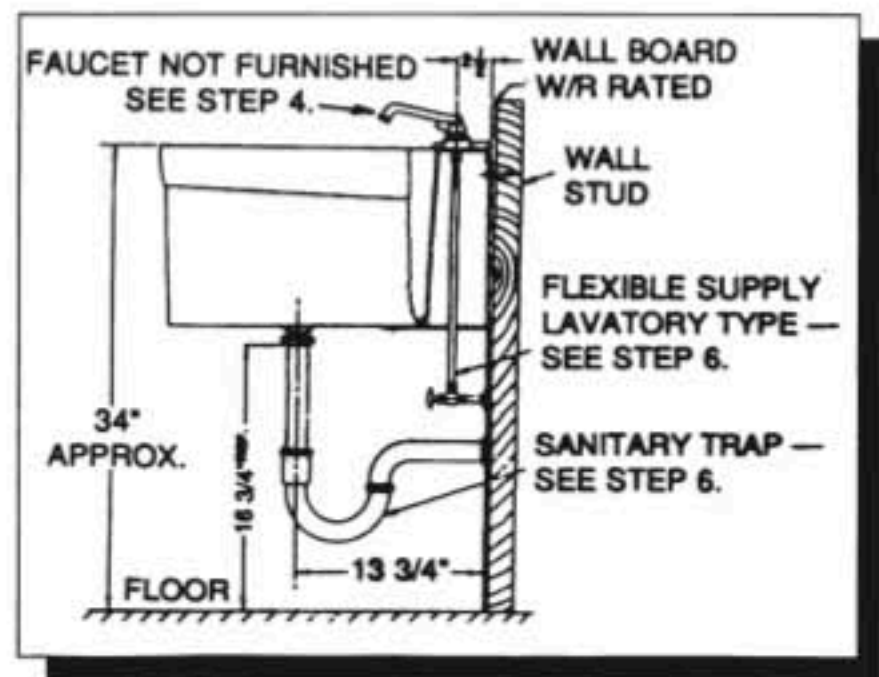
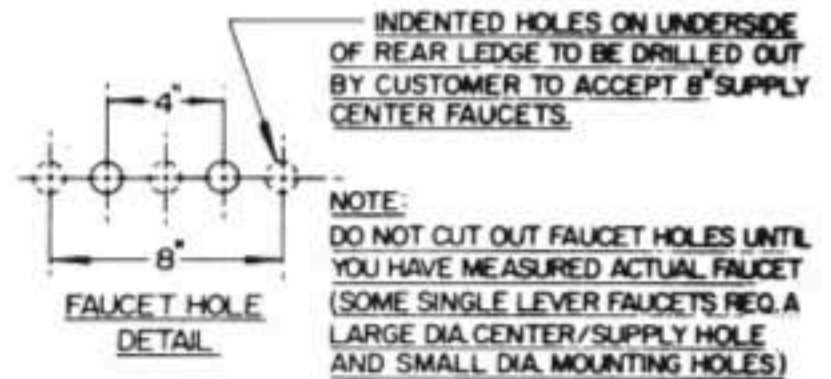
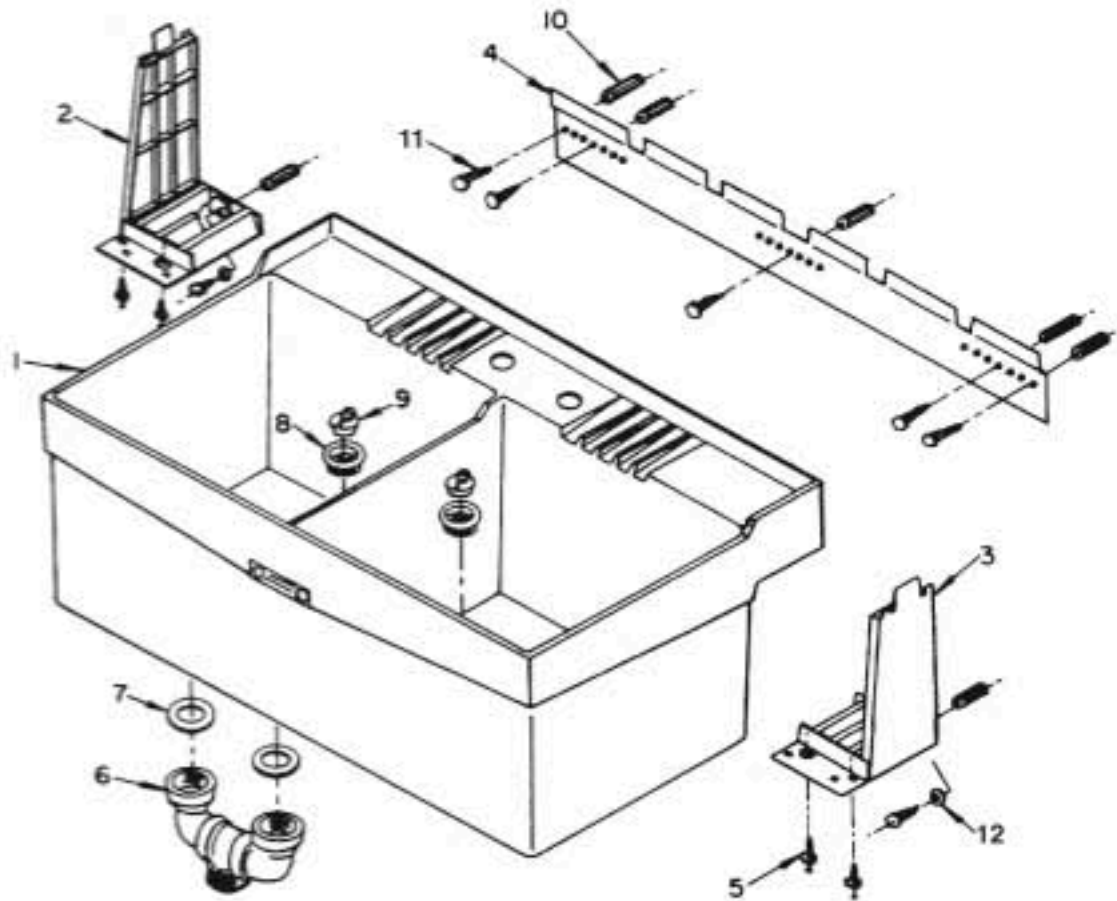


FIGURE 5.

MUSTEE
 DOUBLE COMPARTMENT
 LAUNDRY TRAY - WALL MOUNTED

MODEL 26W
MODEL 27W

PARTS ILLUSTRATION



PARTS LIST

KEY NO.	MODEL 26 PART NO.	MODEL 27 PART NO.	DESCRIPTION
1	26.102	27.101	Double Compartment Laundry Tray
2	19.203	19.203	Molded Side Filler-Left Hand
3	19.202	19.202	Molded Side Filler-Right Hand
4	27.201	27.201	Wall Plate
5	80.811	80.811	Drive Rivet (4 Required)
6	23.301	23.301	Twin Waste Drain Assembly
7	27.306	27.306	Sealing Washer (2 Required)
8	27.303	27.303	Strainer (2 Required)
9	23.303	23.303	Stopper-1 1/2" Dia. (2 Required)
10	17.806	17.806	Anchor-5/16" Diameter (7 Required)
11	17.807	17.807	Lag Screw-5/16" Diameter (7 Required)
12	19.801	19.801	Flat Washer-5/16" Diameter (2 Required)
13	91.702	91.702	1 1/2" Tailpiece Washer (Not Shown)
14	91.703	91.703	1 1/2" Thrd. Slip Nut (Not Shown)



Quality Plumbing Products

E.L. MUSTEE & SONS, INC.

5431 West 164th Street • Cleveland, Ohio 44142