



**PREMIER**  
COPPER PRODUCTS

**MODEL NUMBER: VSIK-1**

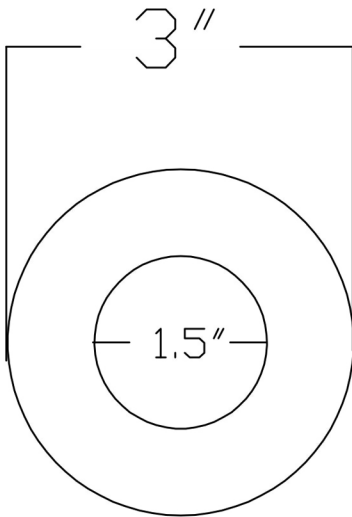
**DESCRIPTION: Vessel Sink Installation Kit -  
Rubber Gasket & Steel Washer**

**OUTER DIMENSION: 3" x 3" x 1.625"**

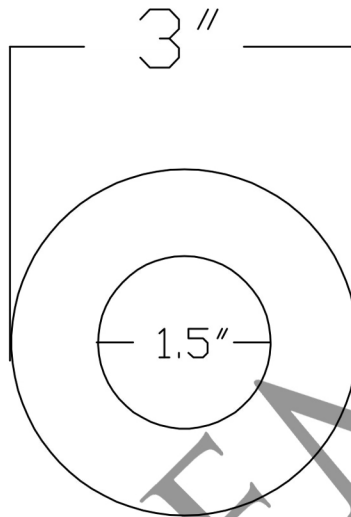
**INNER DIMENSION: 1.5" x 1.5" x 1.625"**

**COLOR: Silver Washer, Black Rubber Gasket**

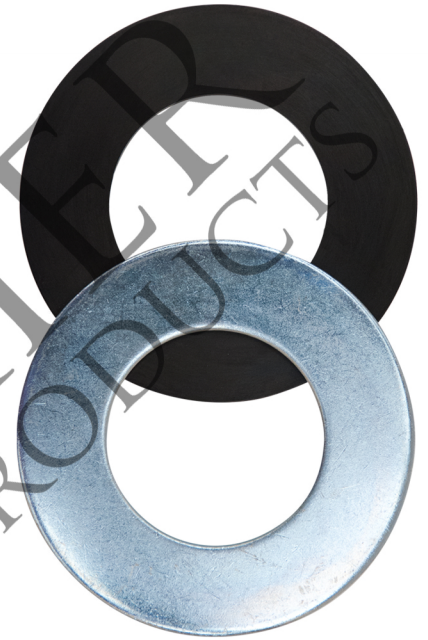
**PERFECT FOR INSTALLING A STANDARD SURFACE  
MOUNT VESSEL SINK AND DRAIN.**



# 1 STEEL WASHER



#2 RUBBER GASKET



## INSTALLATION OF VSIK-1



DRAIN

SINK

COUNTERTOP

STEP 1: RUBBER WASHER

STEP 2: STEEL WASHER

STEP 3: DRAIN NUT

