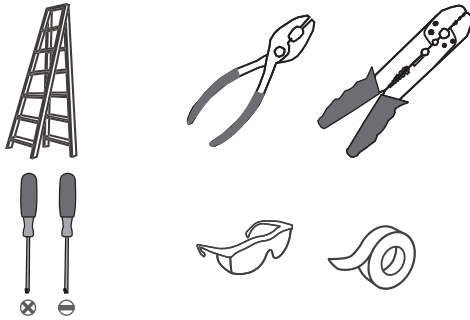


Tools Required



Light Source

23W
LED

**Fixture Height Adjustable
16" to 52"**

⚠ Warnings and Cautions

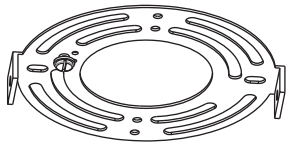
Turn off the electricity at the circuit breaker before installation. Consult a licensed electrician if in doubt about installation.

Package Contents

Preparation: Identify and inspect all parts before beginning the installation.

Missing or damaged parts? Contact your original place of purchase.

PARTS BAG



A Crossbar
x 1



C Outlet Box Screw
x 2



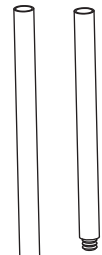
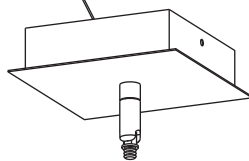
D Wire Connector
x 5



E Ceiling Canopy
x 1



B Lock Screw
x 2



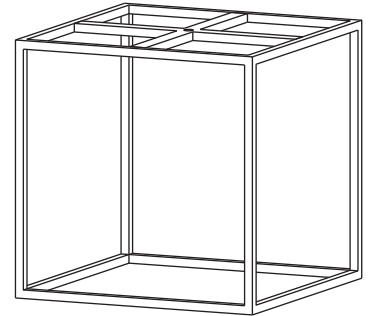
F 6" L Rod
x 2



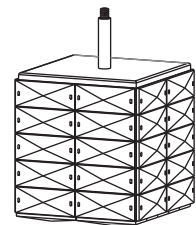
G 12" L Rod
x 2



G Coupling
x 1



H Cage
x 1

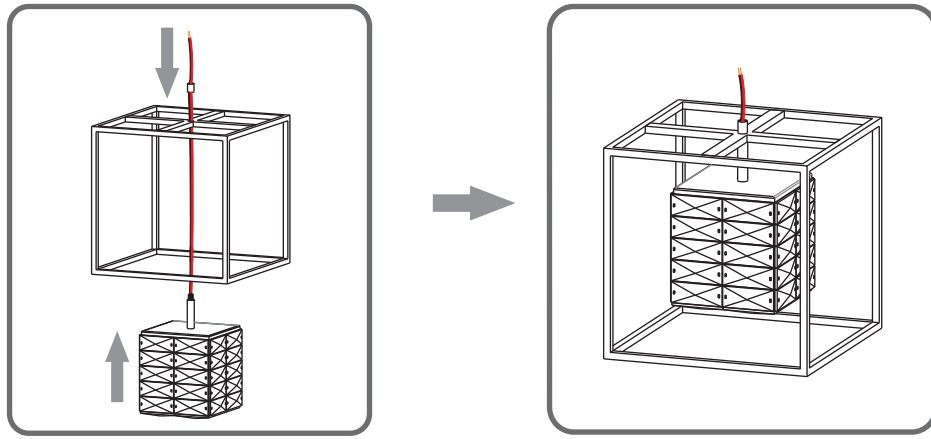


I Fixture Body
x 1

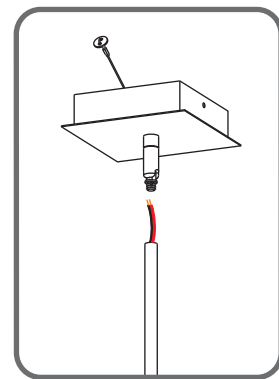
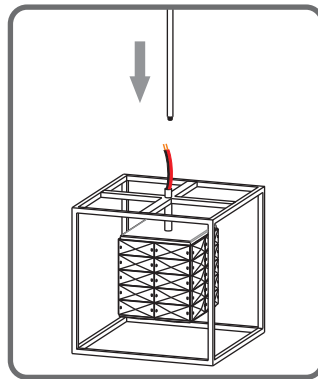
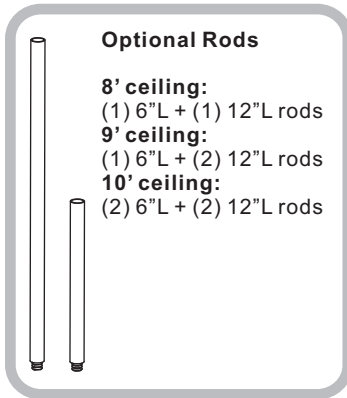
Table of Contents

Cage & Fixture Body	Downrods	Wiring to Driver	Crossbar	Lanyard	Wiring to Outlet Box	Ceiling Canopy
STEP 1	STEP 2	STEP 3	STEP 4	STEP 5	STEP 6	STEP 7

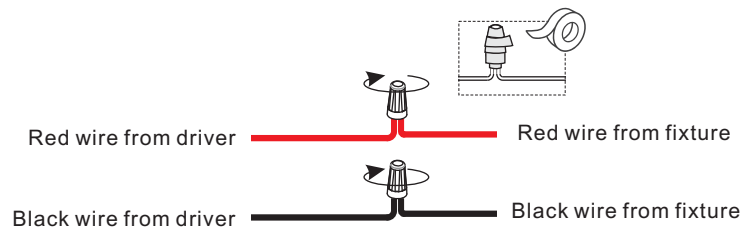
STEP 1



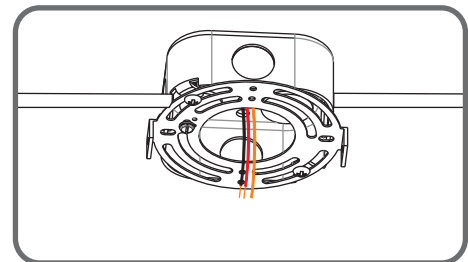
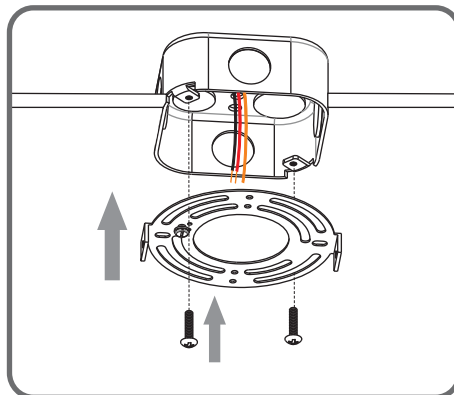
STEP 2



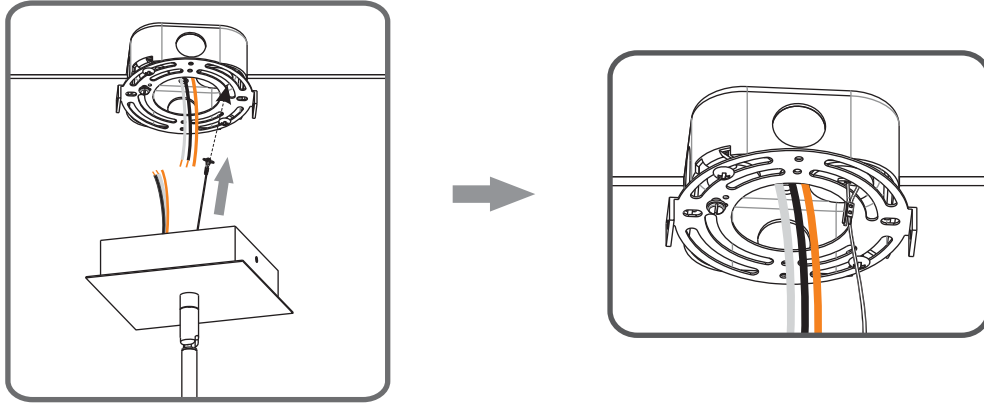
STEP 3



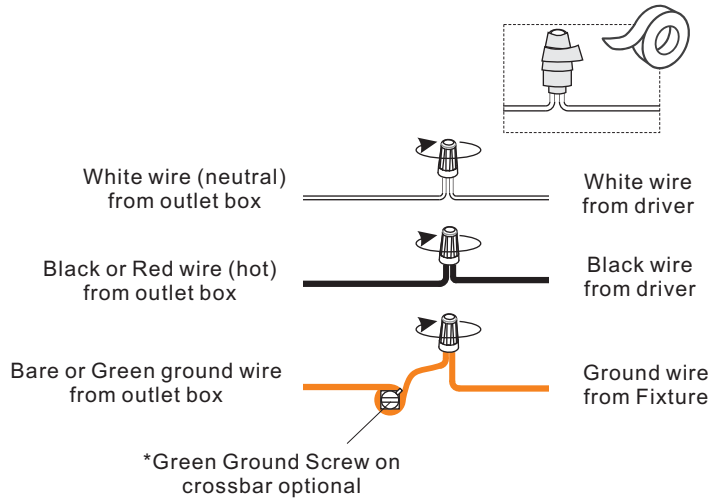
STEP 4



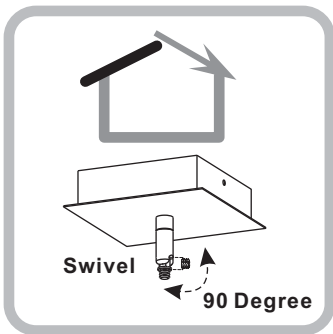
STEP 5



STEP 6



STEP 7



For angled ceilings,
Swivel opening towards wall.

