

Please go to [www.quoizel.com](http://www.quoizel.com) for product cleaning tips. Go to the **Care + Maintenance** selection.

**Tools Required:** Flathead screwdriver, Phillips screwdriver, pliers, wire cutters, wire strippers, electrical tape, safety glasses.

**Light Source:** (2) A19 Medium Base 60W Maximum, Alternate bulb (2) 13W CFL

**Estimated Assembly Time:** 20-30 minutes

**Preparation:** Identify and inspect all parts before beginning installation. Check package content list and diagrams below to be sure all parts are present. If any parts are missing or damaged, do not attempt to assemble, install, or operate the fixture. Contact customer service for replacement parts.

### ⚠ Warnings and Cautions

Turn off electricity at circuit breaker or main fuse box before installation. Consult a licensed electrician if in doubt.

These instructions are provided for your safety. It is very important you read them completely before installing the fixture. We strongly recommend that a licensed, professional electrician perform the installation.

Disconnect fixture from power source before replacing bulbs. Make sure bulbs are given sufficient time to cool before removal. Do not subject glass parts to any shock while in operation or shattering may result.

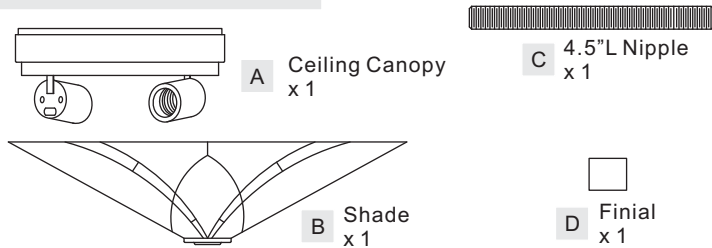
### ⚠ Care of Tiffany Style Shade

A new tiffany lamp shade has an oil film applied to the shade that protects the tiffany shade from scratches during shipment. If the oil applied is too heavy you can remove the excess oil film with a paper towel. Gently wipe away the excess oil.

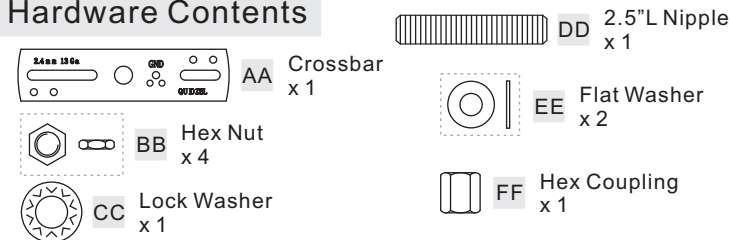
For general cleaning of tiffany shades use a gentle lemon oil-based furniture polish applied to a soft cloth and wipe gently.

If a white powder appears on the soldered joints of the tiffany shade this is a normal oxidation process. Use a small amount of lemon oil or mineral oil applied directly to oxidized areas and the soldered area will return to like new.

### Package Contents

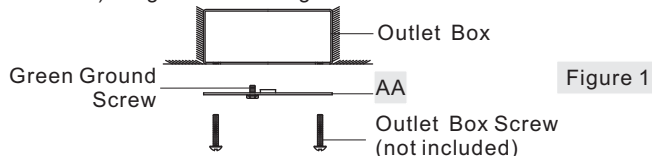


### Hardware Contents



### STEP 1 - Install Crossbar

A. Attach the Crossbar (AA) to the Outlet Box with the head of the Green Ground Screw facing you. Secure it with Outlet Box Screws (not included). Tighten until snug.



### STEP 2 - Install Nipple and Ceiling Canopy

\* Pliers is required for this step.

A. Thread one Hex Nut (BB) to the middle of the 2.5" L Nipple (DD). Place Lock Washer (CC) over the 2.5" L Nipple (DD) and then thread the 2.5" L Nipple (DD) into the Crossbar (AA) until the 2.5" L Nipple

(DD) is about 0.375" above the Crossbar (AA).

B. Place the Ceiling Canopy (A) over the 2.5" L Nipple (DD) against the ceiling to determine the correct position of the 2.5" L Nipple (DD). Thread the Hex Coupling (FF) onto the 2.5" L Nipple (DD). Adjust the 2.5" L Nipple (DD) to allow the Ceiling Canopy (A) to rest against the ceiling when held in place by the Hex Coupling (FF).

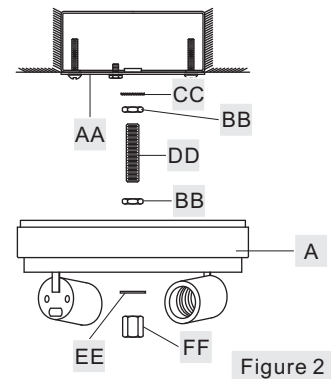
C. Remove the Hex Coupling (FF) and the Ceiling Canopy (A). Tighten the Hex Nut (BB) against the Crossbar (AA) to secure in place.

D. Thread another Hex Nut (BB) onto the end of the 2.5" L Nipple (DD). Thread this Hex Nut (BB) on just enough so the inside surface of the Ceiling Canopy (A) rests against it.

\* You may have to trial fit the Ceiling Canopy (A) one more times to insure this distance also. This Hex Nut (BB) is needed here to prevent you from crushing down the center of the Ceiling Canopy (A).

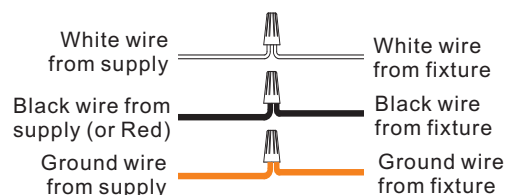
E. Refer to Step 3 for wire connections.

F. Place the Flat Washer (EE) and the Ceiling Canopy (A) over the 2.5" L Nipple (DD). Secure by threading Hex Coupling (FF) onto the end of the 2.5" L Nipple (DD). Hand tighten until snug.



### STEP 3 - Wire Connections

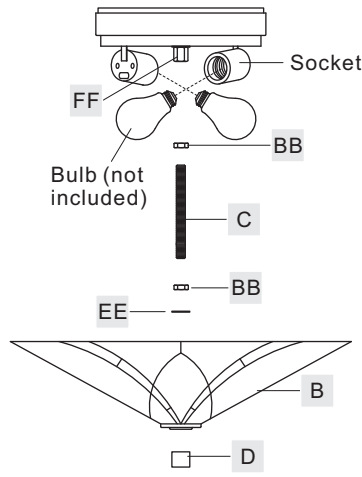
A. Use standard wire connectors (not included) to make all wire connections. (Connectors are not included with fixture.) Twist connectors until wires are tightly joined together. Wrap each connection with approved electrical tape and carefully stuff all the connected wires into the Outlet Box.



Thank you for purchasing a Quoizel product.  
Need assistance with parts or assembly? Call Quoizel customer service at 1-631-273-2700  
or visit us on-line at [www.quoizel.com](http://www.quoizel.com)

**STEP 4 - Install Shades and Bulbs**

- A. Thread one Hex Nut (BB) onto the 4.5"L Nipple (C). And then thread the hex nut end of the 4.5"L Nipple (C) into the Hex Coupling (FF). By using pliers, thread the Hex Nut (BB) against the Hex Coupling (FF) and hand tighten until snug.
- B. Thread the another Hex Nut (BB) onto the another end of the 4.5"L Nipple (C) and adjust the Hex Nut (BB) just enough so the inside surface of the Shade (B) rests against it. \* You may have to trial fit the Shade (B) one more times to insure this distance also. This Hex Nut (BB) is needed here to secure the Shade (B).
- C. This fixture uses standard bulbs with standard screw base. Maximum 60 watts. Insert bulb and screw snugly into place.
- D. Pass the Flat Washer (EE) and the Shade (B) over the end of the 4.5"L Nipple (C) and secure with the Finial (D). Hand tighten until snug.

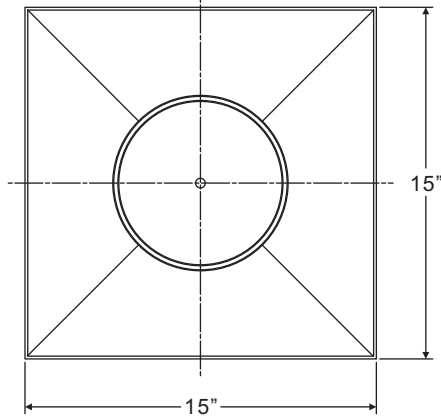
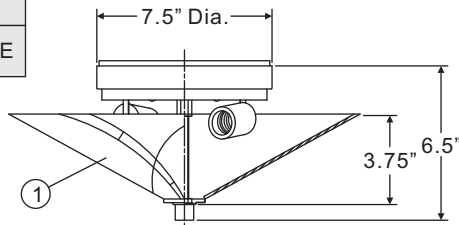
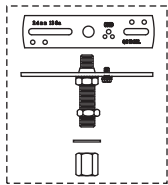


Your fixture is now assembled and ready to use. Enjoy!

Figure 4

TFAS1615VA

FINISH: VALIANT BRONZE



NOTE: ALL DIMENSIONS ARE ROUNDED UP TO THE NEAREST 1/2"

(2) 60W Medium Base Bulbs (Not Supplied)

NO.	PART NUMBER	REPLACEMENT PART	REQ.
1	G4110SH	SHADE	1

Thank you for purchasing a Quoizel product.  
 Need assistance with parts or assembly? Call Quoizel customer service at 1-631-273-2700  
 or visit us on-line at [www.quoise.com](http://www.quoise.com)