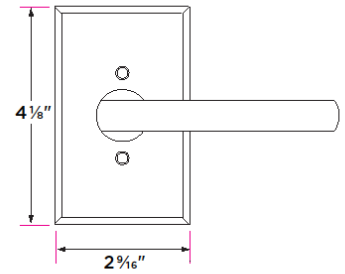
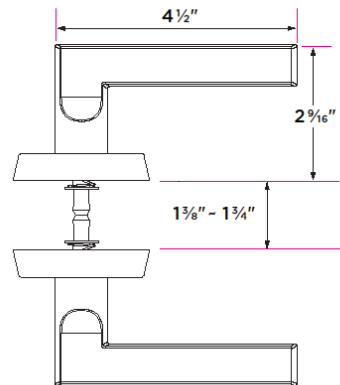


Logan Lever



LN10'



DESCRIPTION	PRODUCT CODE	CASE
Passage (hall/closet) Both sides always free	LN101	12
Privacy (bed/bath) Locked by push pin. Unlocked by push pin, lever turn, or emergency pin outside	LN102	12
Dummy (closet) Inactive, single-sided, flush mount with two wood screws	LN100	12

Finishes

11P Vintage Bronze
NI Nickel
FBL Flat Black
SB Satin Brass

Door Handing

Non-handed

Door Thickness

1 3/8" to 1 3/4"
Expansion pack available for 2 1/4" thick doors

Key Cylinder

No keyed option
Pair passage lever with mountain deadbolt for exterior locking

Strike Plate

2 1/4" x 1 3/4" full lip radius corner standard

Latch

2 1/4" x 1" radius corner face-plate
Non-adjustable 2 3/8" or 2 3/4"
2 3/8" Drive-in latch available
1/2" throw bolt
Split Spindle- both sides operate independently

Door Prep

Crossbore 2 1/8"
Edgebore 1"

Materials

Zinc: Vintage Bronze, Nickel, Flat Black
Brass: Satin Brass
All metal parts